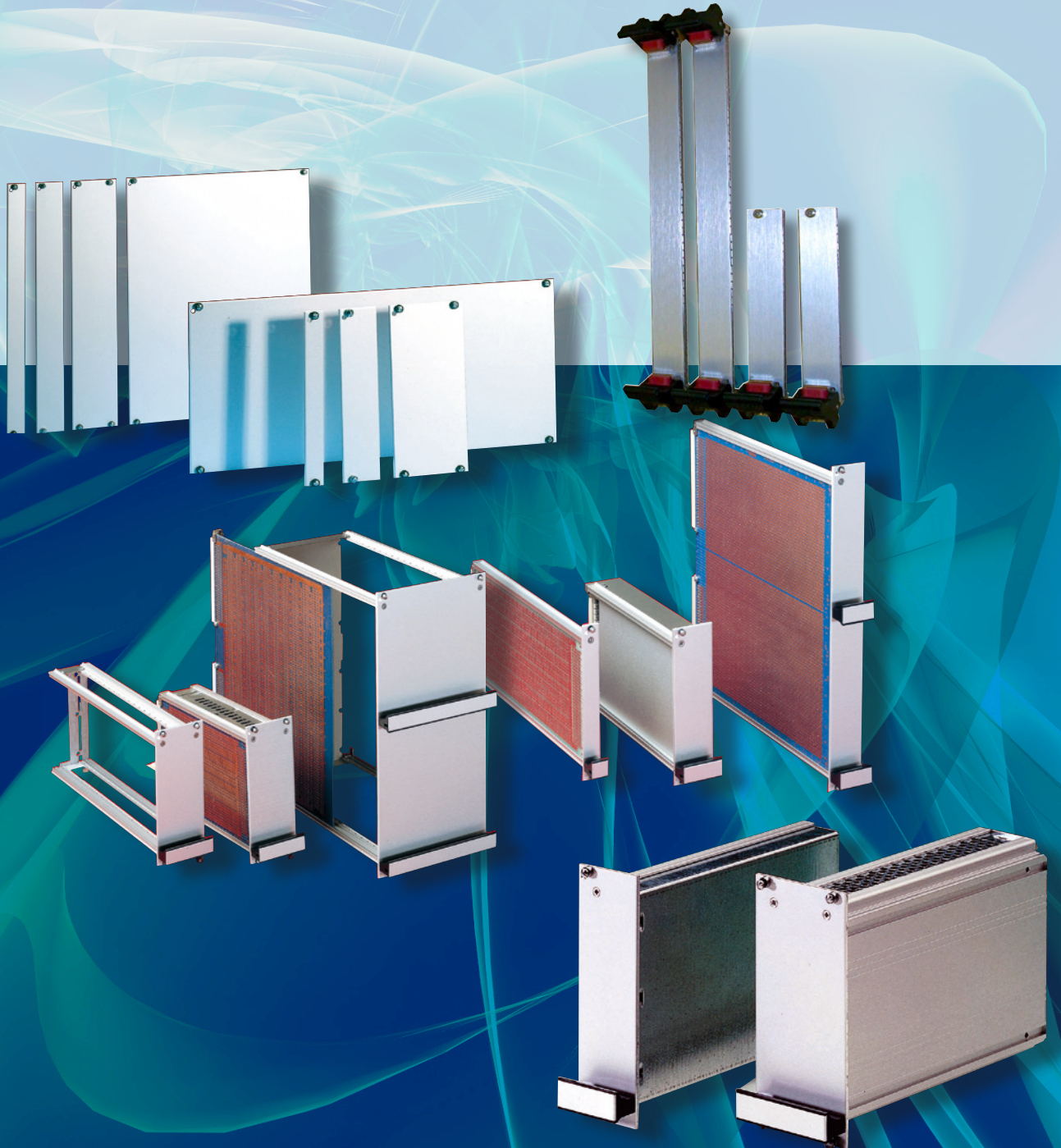


VEROTEC

Electronics Packaging



**KM6 Front Panels
& Plug-in Units**

CUSTOM FRONT PANELS & PLUG-IN UNITS

TecServ+ is the vehicle by which Verotec delivers its value added services. These fall within 5 main categories and are described below. When it comes to front panels & plug-in units, we've worked with many customers in the past to design, manufacture and help bring to market modified and custom versions of our standard products – a small selection of these are pictured below. If you have any special front panel or plug-in units requirements, please contact **OUR SALES OFFICE**



ENGINEERING SERVICES:

- ⊕ Complete review of commercial, electro-mechanical, environmental and regulatory product requirements with customer.
- ⊕ Import of STEP, IGES, DWG & DXF file formats
- ⊕ Mechanical and electrical design using latest CAD software
- ⊕ 3D Modelling to allow conceptual testing before production
- ⊕ Component selection from a vast library of parts

MANUFACTURING SERVICES:

- ⊕ Prototype / pre-production samples using small batch shop
- ⊕ Modification of standard catalogue products (including machining, CNC punching, laser cutting, painting & silk-screening)
- ⊕ Manufacture of custom / bespoke products (including fabrication, machining, CNC punching, plating, painting & silk-screening)
- ⊕ Assembly & kitting of components
- ⊕ Integration & mechanical / electrical testing of complex systems

COMPLIANCE SERVICES:

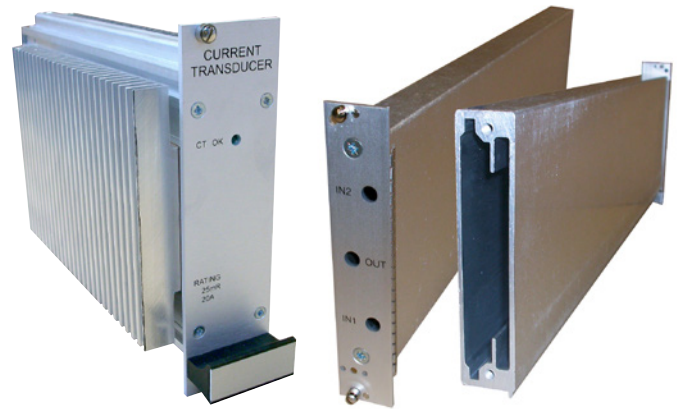
- ⊕ Validation of product design and/or specification
- ⊕ Advice on environment legislation (RoHS, Reach, Weee etc.)
- ⊕ In-house pre-compliance testing for CE marking (Safety, EMC)
- ⊕ Supply of product technical construction file
- ⊕ Testing & certification of a product at an approved test house (for EMC, shock & vibration, altitude, temperature, humidity etc.)

LOGISTICAL SERVICES:

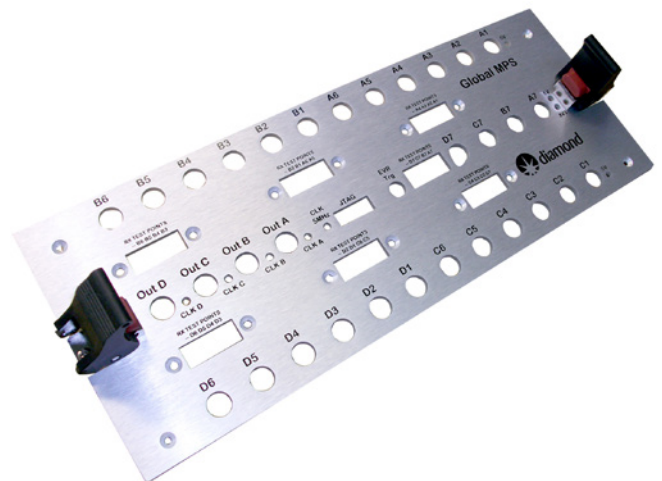
- ⊕ Express manufacturing service for quick turnaround of urgent orders
- ⊕ Special / bespoke packaging for safe transport of goods
- ⊕ Scheduled orders (including JIT and KAN BAN systems)
- ⊕ Stock holding & distribution
- ⊕ Exporting (including export packaging, land/sea/air transportation, freight forwarding, customs documentation & shipping manifests)

PROJECT MANAGEMENT SERVICES:

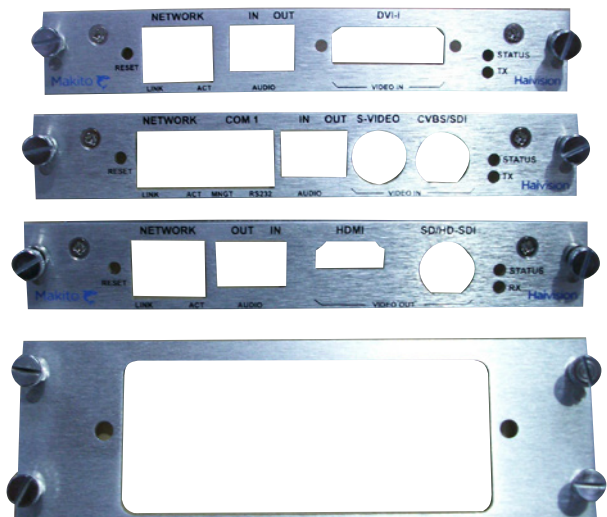
- ⊕ Initial project consultation
- ⊕ Capability and feasibility study
- ⊕ Estimation of project cost and leadtime
- ⊕ Management of design process (specification to validation)
- ⊕ Management of manufacturing process (prototype to production)
- ⊕ Cost reduction programmes throughout product life cycle



Left: Customised enhanced plug-in unit with screened front panel and added heatsink. Right: Fully custom extruded EMC module with silk screened, shielded front panel - scientific applications.



Custom 6U/20HP front panel assembly; machined, silk screened & anodised with injector / extractor handles – instrumentation application.



Customised 3U shielded front panel assemblies; machined, selectively plated and silkscreened – video networking application

Verotec offers an extensive range of front panels and plug-in units that meet the requirements of IEC 60297-3 / DIN 41494 and IEEE 1101.10. A large number of accessories and a full customising service ensure the needs of both board manufacturers and subrack users alike are met.

UNSHIELDED FRONT PANELS

All front panels in this category are manufactured from 2.5mm aluminium and come in two versions. **Version 1** is manufactured from pre-anodised material, has a horizontal grain and is supplied with plastic bushes as standard. **Version 2** has an anodised front face and chromated, conductive rear face for applications where electrical continuity is required to the front extrusions. They have a vertical grain and are supplied with metal bushes.

Front panels that are 2HP-9HP wide are supplied with 1 x fixing screw / bush top and bottom where as front panels in 10HP-84HP widths are supplied with 2 x fixing screws / bushes top and bottom.

All front panels are supplied in kits. **"Blank"** panels simply come with fixing hardware where as **"Standard"** panels include plastic handles and aluminium handle idents. Front panel sizes are 3U/6U heights and 2HP-84HP widths with **"Hinged"** and **"Ejector"** versions also being available.

PLUG-IN UNITS

There are two main types of plug-in unit, **"Standard"** and **"Enhanced"**. Standard types are constructed with module guide rails and incorporate the standard (version 1) front panels described above, with 3HP-9HP units having 2 x rails and 10HP-42HP units having 4 x rails. Enhanced types use an extruded side cover which incorporates a guide rail top and bottom. They are more robust and provide a higher level of shielding than standard types. They use the standard (version 2) front panels described above with a chromated inner face. 6HP-10HP units have a single left-hand extruded cover (2-Rail) with the right cover being formed metal, whilst on 12HP-42HP units, both side covers are extruded (4-Rail).

SHIELDED FRONT PANELS

All front panels in this category are manufactured from 2.5mm thick extruded aluminium with a vertical grain and a conductive (Iridite NCP) finish. They are fitted with a stainless steel, EMC, slide-on (double swipe) gasket and are available in 3 versions; "Blank", "Fixed Handle" and "Injector / Ejector Handle".

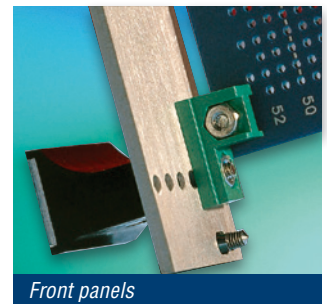
Blank (of filler) panels are supplied with EMC gasket, metal bushes (for maximum conductivity) and slotted captive fixing screws. 2HP-6HP width panels have a single screw fixing position top and bottom whereas 8HP & 12HP have two top and bottom.

Fixed Handle panels are supplied with EMC gasket fitted and a kit comprising slotted captive fixing screws, metal bushes (for maximum conductivity), plastic handle(s), aluminium ident(s) and necessary fixing hardware. 2HP-6HP width panels have a single screw fixing position top and bottom whereas 8HP & 12HP have two top and bottom. 3U panels are supplied with one handle whereas 6U panels are supplied with two.

Injector / Ejector Handle panels are supplied with EMC gasket fitted and a kit comprising IEEE ejector handle(s) and necessary fixing hardware. 4HP-6HP width panels have a single screw fixing position top and bottom whereas 8HP & 12HP have two top and bottom. 3U panels are supplied with one bottom handle and include a card mounting bracket position at the top. 6U panels are supplied with top and bottom handle.

VXI FRONT PANELS AND MODULES

To support the VXIbus standard, a range of screened "C" and "D" size modules and front panels are available with ejector handles to aid easy extracton.



Front panels

Product	Version	Description	Page
KM6 Unshielded Front Panels (IEC 297)	Blank (No Handles)	Front panels	4
		Horizontal hinged front panels	5
		Vertical hinged front panels	6
	Standard (With Handles)	Front panels	7
		C-Type front panels	8
		Ejector front panels	9
	Front panel accessories and hardware		
KM6 Plug-In-Units (IEC 297)	Standard (Guide Rails)	2-Rail plug-in-units (3HP-9HP)	12-13
		4-Rail plug-in-units (10HP-42HP)	14-15
	Enhanced (Extruded Side)	2-Rail plug-in-units (6-10HP)	16
		4-Rail plug-in-units (12-42HP)	17
	Plug-in-unit accessories and hardware		
KM6 Shielded Front Panels (IEEE 1101.10)	Blank (No Handles)	Front panels - blank	19
	Standard (With Handles)	Front panels – fixed handles	19
		Front panels – injector / ejector handles	20
	Front panel accessories and hardware		
VXI Front Panels and Modules	VXI modules		22
	VXI Front Panels		22
System Modules	Peripheral Mounting Adaptors		23
	Air Baffle Cards		23

Unshielded blank front panels

BLANK FRONT PANELS 3U AND 6U

- Conform to IEC 60297-3 and DIN 41494
- Comprehensive range of widths, available in kit or bulk pack form

Having only the standard sight hole and retaining screw holes, these panels have no handles, leaving the total area free for the mounting of instruments, switches, meters, etc. They can also be used at the rear of a subrack for mounting plug and socket connectors.

Version 1 have anodised front and inner faces. The method of manufacture produces cut edges which will not be visible in normal use. Version 1 panels can be identified by their 957 prefix. Material grain is horizontal and the kit includes plastic retaining inserts as standard. These inserts can be replaced with a metal type (see page10).

BULK PACKING

Subject to minimum quantities, we can supply front panel kits in bulk, offering savings in packaging and unpacking time. Please specify 'BULK PACK' when ordering.

CONTENTS OF KITS

Description	Material
Front panel	2,5mmg ALMg3 ½ hd anodised
Special screw	M2,5 x 11mm
Retaining insert	Plastic – see text above

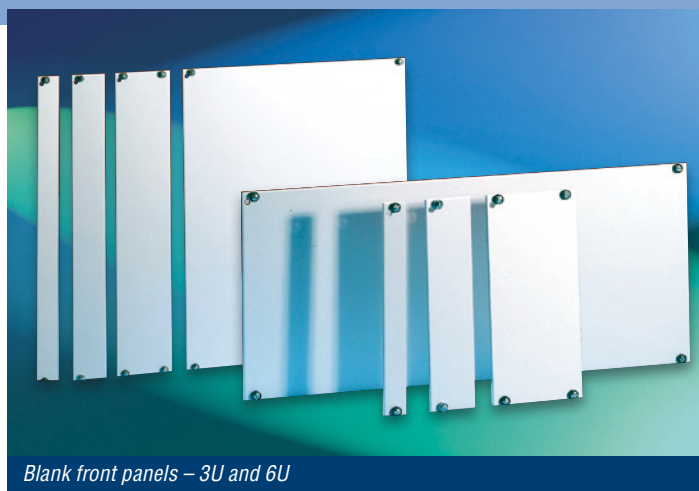
ORDERING INFORMATION

Description: Blank panels 3U, version 1

Width	A	B	Order code
2HP	9,8	–	957-236038
3HP	14,84	–	957-236041
4HP	19,92	–	957-236042
5HP	25	–	957-236043
6HP	30,08	–	957-236044
7HP	35,16	–	957-236045
8HP	40,24	–	957-236046
9HP	45,32	–	957-236047
10HP	50,4	35,56	957-236056
12HP	60,56	45,72	957-236057
14HP	70,72	55,88	957-236059
21HP	106,28	91,44	957-236061
24HP	121,52	106,68	957-236062
42HP	212,96	198,12	957-236063
60HP	304,4	289,56	957-236064
84HP	426,32	411,48	957-236065

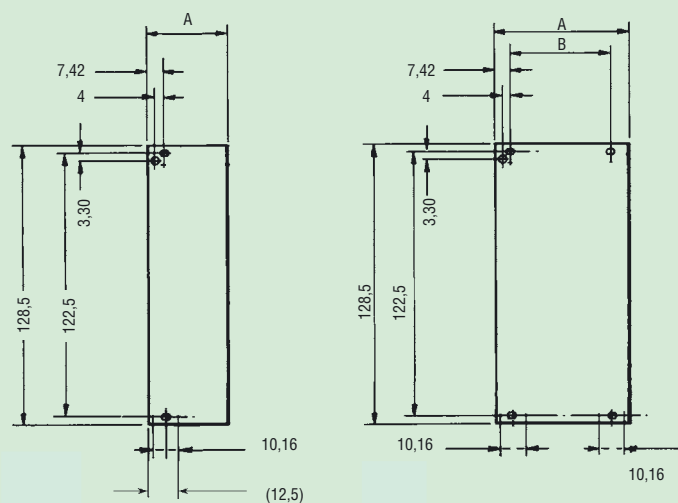
Description: Blank front panels 6U - version 1

2HP	9,8	–	957-236048
3HP	14,84	–	957-236049
4HP	19,92	–	957-236050
5HP	25	–	957-236051
6HP	30,08	–	957-236052
7HP	35,16	–	957-236053
8HP	40,24	–	957-236054
9HP	45,32	–	957-236055
10HP	50,4	35,56	957-236066
12HP	60,56	45,72	957-236067
14HP	70,72	55,88	957-236068
21HP	106,28	91,44	957-236069
24HP	121,52	106,68	957-236070
42HP	212,96	198,12	957-236071
60HP	304,4	289,56	957-236072
84HP	426,32	411,48	957-236073

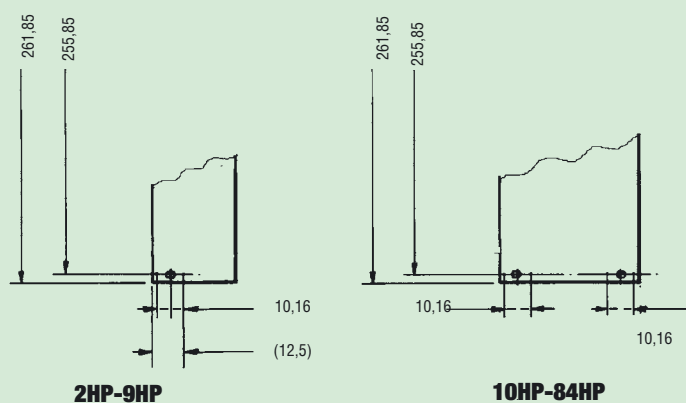


Blank front panels – 3U and 6U

3U PANELS



6U PANELS



Order separately

Product	Page
Additional card mounting brackets	10
Screws, bushes and fixings	10

Unshielded blank front panels

KM6-II HORIZONTALLY HINGED PANEL

Typically used in situations where quick access is needed to equipment, but it is not desirable to remove the panel completely - e.g. as a socket mounting or display panel.

A range of aluminium panels is supplemented by a 3U, 84HP smoked transparent version for use where it is necessary to view instruments or indicators.

Standard kits are supplied with plastic hinges. A die-cast metal hinge kit is available separately as an accessory to replace the plastic type.

Version 1 has anodised front and rear faces. The method of manufacture produces cut edges which are invisible in normal use. The kit includes plastic retaining inserts and plastic hinges as standard. Both plastic inserts and hinges can be replaced by metal versions.

Version 3 is a decorative panel, being entirely anodised after manufacture. It is supplied in kit form with plastic inserts and hinges as standard. These inserts and hinges can be replaced with metal versions.

CONTENTS OF KITS

Description	Material/Finish
Hinged panel	Lexan Polycarbonate, UL 94.V0
Two hinges and fixings	Polypropylene, black
Metal hinge kit:	
Two hinge sets and fixings	Mazak, painted black

ORDERING INFORMATION

Description: Horizontally hinged front panel

Height	Width	Type	Hinge	A	Order code
3U	24HP	Version 1	Plastic	121,52	957-236180
	42HP	Version 1	Plastic	212,96	957-236181
	60HP	Version 1	Plastic	304,40	957-236182
	84HP	Version 3	Plastic	426,32	953-236184
6U	84HP	Version 3	Plastic	426,32	953-236190

Transparent horizontally hinged front panel

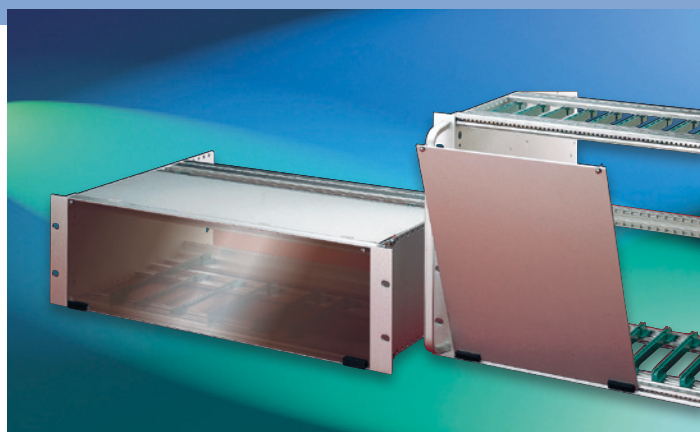
Description: Smoked transparent front panel - horizontal

3U	84 HP	-	Plastic	426,32	953-236516
----	-------	---	---------	--------	-------------------

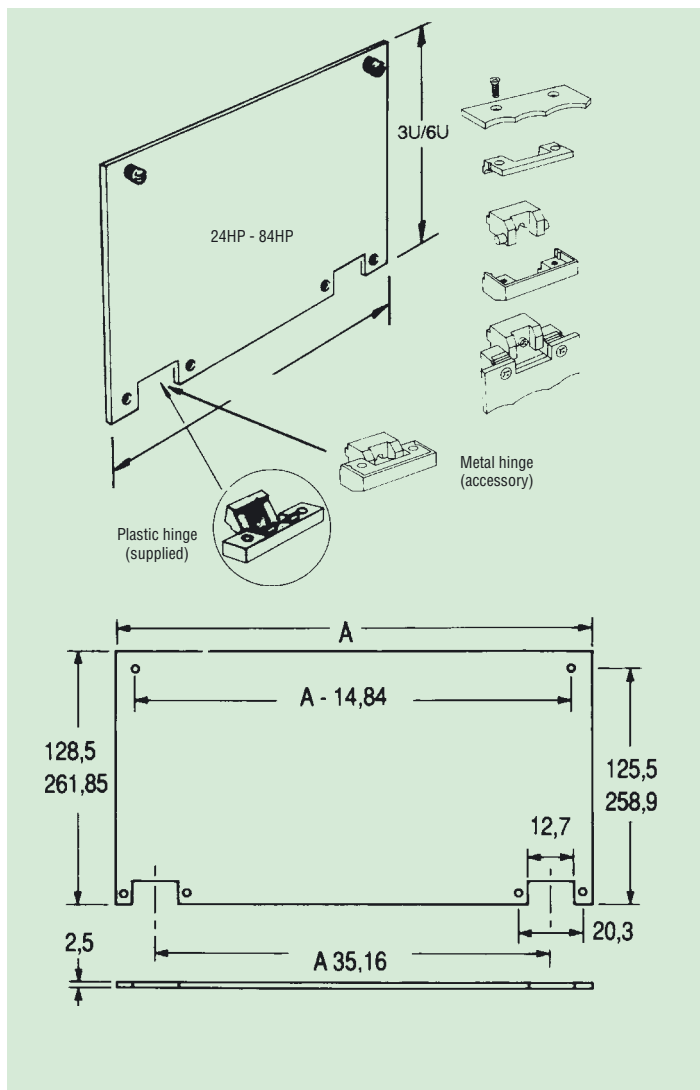
Hinge kit

Description: Metal hinge kit

Hinge kit	174-26556
-----------	------------------



KM6-II horizontally hinged panel



Order separately

Product	Page
Additional card mounting brackets	10
Screws, bushes and fixings	10

Unshielded blank front panels

KM6-II VERTICALLY HINGED PANEL

Two hinge types are available: heavy duty metal and a lighter duty, plastic type. They can be hinged right or left as required. Both types are supplied in 3U and 6U, 84HP wide.

Version 3 is a decorative panel, being entirely anodised after manufacture. It is supplied in kit form with plastic inserts as standard which can be replaced with a metal type. These inserts can be replaced with a metal type - please see page 10 for details.

BULK PACKING

Subject to minimum quantities, we can supply panel kits in bulk, offering savings in packaging and unpacking. Please specify 'BULK PACK' when ordering.

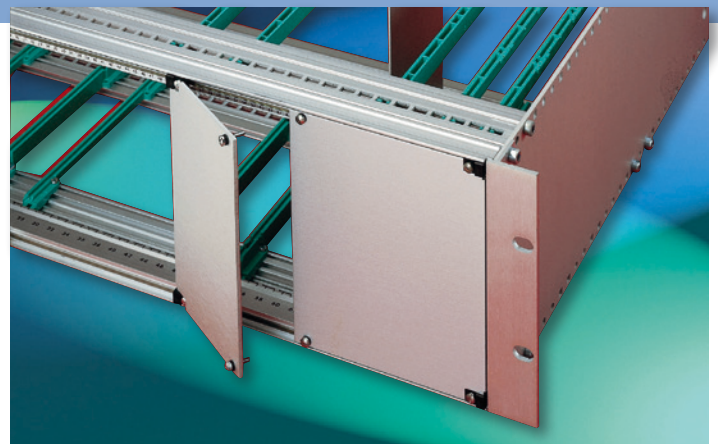
Contents of kits

Description	Material/Finish
Panel	2,5mm Aluminium, etch and anodised
1 set of hinges	Luranyl 2452/1 black
Metal hinges	Die-cast end bracket, extruded aluminium hinge plate
All fixings	

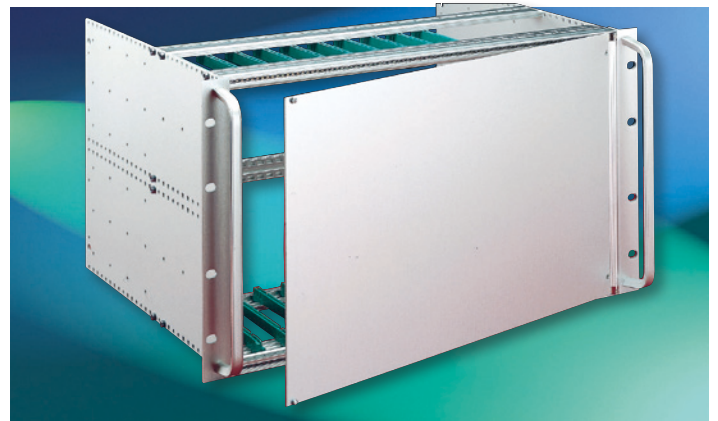
Ordering information

Description: Hinged front panel - vertical

Height	Width	A	Order code
3U	42HP	212.96	953-236121
	84HP	426.32	953-236125
6U	42HP	212.96	953-236124
	84HP	426.32	953-236126

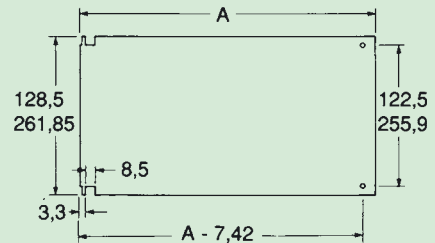


KM6-II plastic hinge versions



KM6-II metal hinge versions

Normal version



Order separately

Product	Page
Additional card mounting brackets	10
Screws, bushes and fixings	10

Unshielded standard front panels

STANDARD TYPE 3U AND 6U

- Two versions, available in comprehensive range of widths
- Supplied in kit or bulk pack form
- Conforms to IEC 60297-3 and DIN 41494

Version 1 has anodised front and inner faces. The method of manufacture produces cut edges which are invisible in normal use. Material grain is horizontal. The kit includes as standard plastic retaining inserts, which can be replaced with a metal type.

Version 2 has an anodised front face and a chromated, conductive inner face for grounding purposes. Supplied with metal retaining inserts as standard.

BULK PACKING

Subject to minimum quantities, we can supply front panel kits in bulk, offering savings in packaging and unpacking time. Please specify 'BULK PACK' when ordering.

CONTENTS OF KITS

Item	Description	Material
1	Front panel	2,5mm ALMg3 1/2 hd
2	Handle	Luranyl 2452/1, black
3	Ident label	1,5mm A1Mg3 1/2 hd anodised
4	Screw M2, 5 x 16	
5	Screw M2, 5 x 7	
6	Special screw M2,5 x 11	
7	Nut M2,5	
8	Shakeproof washer M2,5	
9	Retaining insert	See Text
Assembly instructions		

ORDERING INFORMATION

Description: Standard front panels - **3U**

Panel width	Dim 'A'	Dim 'B'	Order code	Order code
			Version 1	Version 2
3HP	14,8	-	957-235347	953-235335
4HP	19,9	-	957-235348	953-235336
5HP	25,0	-	957-235349	953-235339
6HP	30,1	-	957-235351	953-235340
7HP	35,2	-	957-235352	953-235341
8HP	40,2	-	957-235353	953-235342
9HP	45,3	-	957-235354	953-235376
10HP	50,4	35,6	957-235355	953-235343
12HP	60,6	45,7	957-235356	953-235344
14HP	70,7	55,9	957-235357	953-235345
21HP	106,3	91,4	957-235358	953-235346
24HP	121,5	106,7	957-235359	-
42HP	213,0	198,1	957-235360	-
84HP	426,3	411,5	957-236065*	-

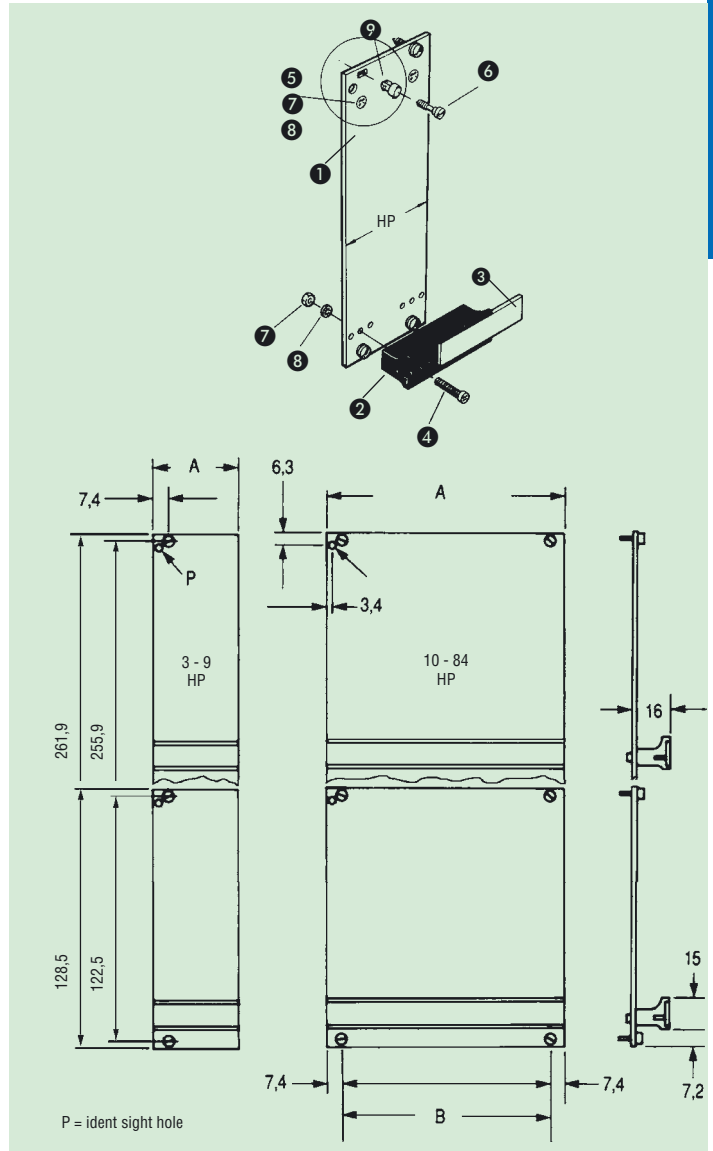
Description: Standard front panels - **6U**

Panel width	Dim 'A'	Dim 'B'	Order code	Order code
4HP	19,9	-	957-235459	953-235442
5HP	25,0	-	957-235460	-
6HP	30,1	-	957-235461	953-235444
7HP	35,2	-	957-235462	-
8HP	40,2	-	957-235463	953-235446
10HP	50,4	35,6	957-235465	-
12HP	60,6	45,7	957-235466	953-235449
14HP	70,7	55,9	957-235467	-
24HP	121,5	106,7	957-235469	-
42HP	213,0	198,1	957-235470	-
84HP	426,3	411,5	957-236073*	-

* This item has no handles



Standard 3U & 6U front panels



Order separately

Product	Page
Additional card mounting brackets	10
Screws, bushes and fixings	10
Slimline handles	11

Unshielded standard front panels

TYPE C FRONT PANEL

- Handles top and bottom for maximum component space
- Easier connector disengagement
- Typical layout for VME bus plug-in units

Version 1 has anodised front and inner faces. The method of manufacture produces cut edges which will not be visible in normal use. Version 1 panels can be identified by their 957 prefix. Material grain is horizontal and the kit includes plastic retaining inserts as standard. These inserts can be replaced with a metal type.

Version 2 has an anodised front face and a chromated, conductive inner face for grounding purposes. Supplied with metal retaining inserts as standard. Version 2 panels are prefixed with 953.

BULK PACKING

Subject to minimum quantities, we can supply front panel kits in bulk, offering savings in packaging and unpacking time. Please specify 'BULK PACK' when ordering.

Contents of kits

Description	Qty.	Material
Front panel	1	2,5mmg ALMg3 ½ hd
Handles	2	Luranylo 2452/1,black
Ident labels	2	1,5mmg A1Mg3 ½ hd
Fixings		

Ordering information

Description: Type C Front panels – version 1

Height	Width	Type	Order code
6U	4HP	Version 1	957-244797
	8HP	Version 1	957-244798
9U	4HP	Version 1	957-244799
	8 HP	Version 1	957-244800

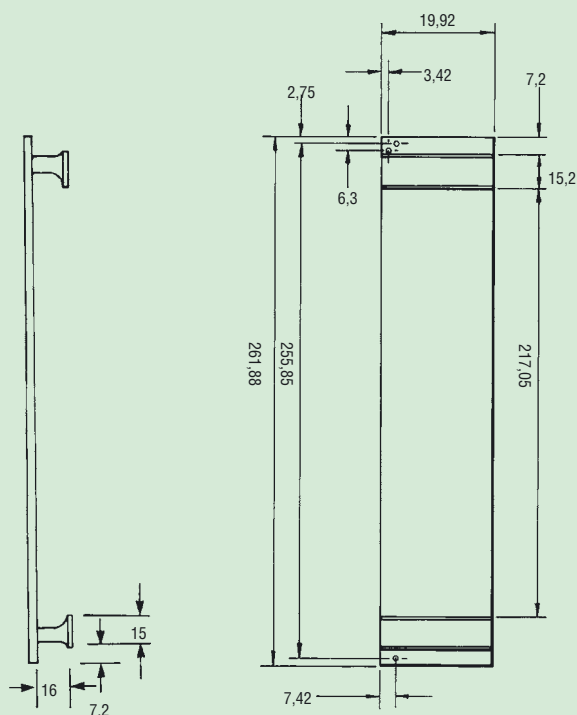
Description: Type C Front panels – version 2

Height	Width	Type	Order code
6U	4HP	Version 2	953-236016
	8HP	Version 2	953-236022
9U	4HP	Version 2	953-236023



Type C front panels

Type C Front panels



Order separately

Product	Page
Additional card mounting brackets	10
Screws, bushes and fixings	10
Slimline handles	11

Unshielded standard front panels

4HP EJECTOR HANDLES AND FRONT PANELS

These ejector handles provide mechanical assistance for removing PCBs with high extraction forces. The handle works by bearing on the front extrusion of IEC 60297-3 subracks. Ejector handle kits and ejector front panels are supplied separately.

Features

- Easy extraction of PCBs
- Normal KM6 front panel handle appearance
- Choice of plastic or metal card mounting brackets
- 3U, 6U and 9U x 4hp front panels available with facility for additional mounting bracket fixing

Version 1 has anodised front and inner faces. The method of manufacture produces cut edges which will not be visible in normal use. Version 1 panels can be identified by their 957 prefix. Material grain is horizontal and the kit includes plastic retaining inserts as standard. These inserts can be replaced with a metal type.

BULK PACKING

Subject to minimum quantities, we can supply front panel kits in bulk, offering savings in packaging and unpacking time. Please specify 'BULK PACK' when ordering.

Contents of kits – 3U Ejector handles

Description	Qty	Material
Bottom handle	10	Makrolon 9425 glass filled (UL94-V0 material)
Mounting brackets	10	Luranyl 2452/1 or die cast
Hinge pins	10	Brass
Handle & bracket fixings (note: front panel bush / screw not included!)		
Assembly instructions		

Contents of kits – 6U Ejector handles

Description	Qty	Material
Pair (top&bottom) handles	10	Makrolon 9425 glass filled (UL94-V0 material)
Mounting brackets	20	Luranyl 2452/1 or die cast
Hinge pins	20	Brass
Handle & bracket fixings (note: front panel bush / screw not included!)		
Assembly instructions		

Contents of kits – Front panels

Front panel	1	2,4mm ALMg3 ½ hd
Handle idents	1 (3U), 2 (6U)	1,5mm ALMg3 ½ hd

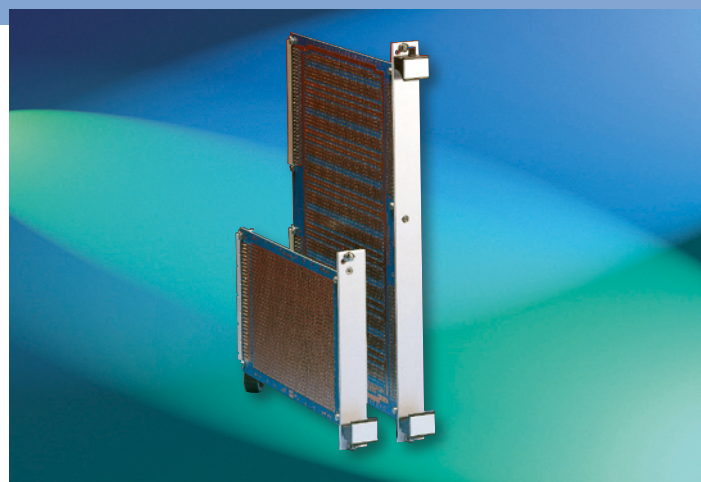
Note: order front panel bushes and fixing screws separately

ORDERING INFORMATION

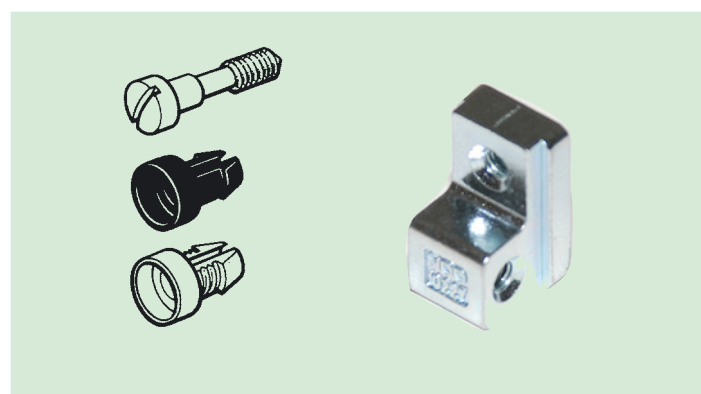
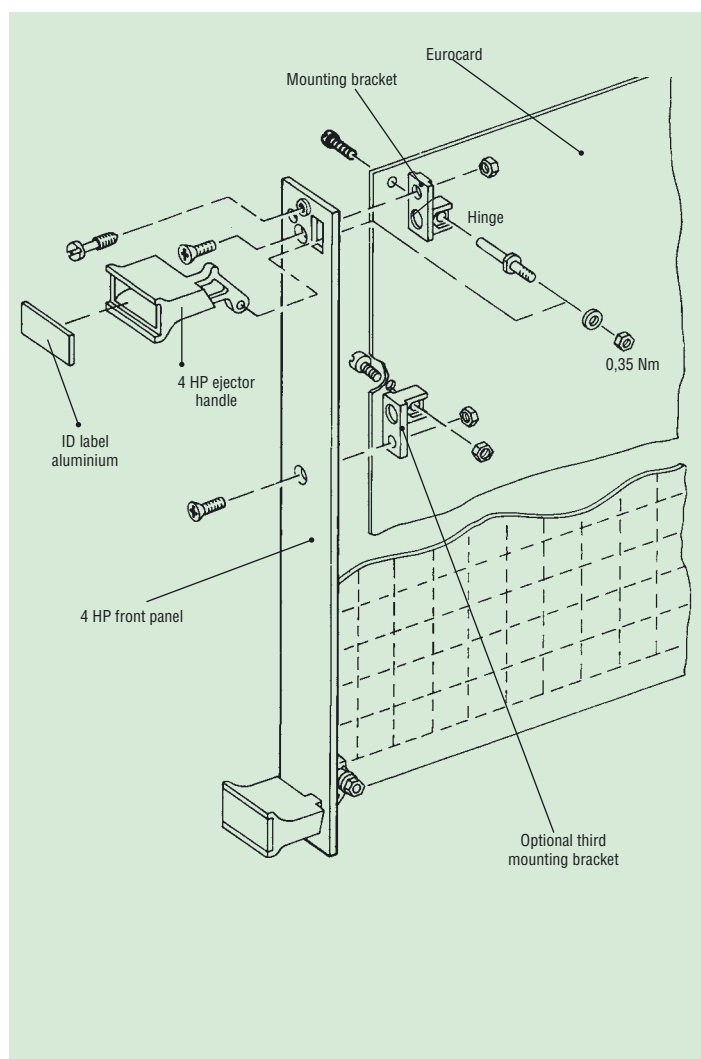
Description	Type	Ordercode
3U Ejector handle kit	Plastic brackets	173-283274
	Metal brackets	173-283071
6U Ejector handle kit	Plastic brackets	173-202288
	Metal brackets	173-202287
3U x 4HP front panel kit	Version 1	957-244801
6U x 4HP front panel kit	Version 1	957-244802
9U x 4HP front panel kit	Version 1	957-244803

Order separately

Front panel fixings (bushes and screws) as well as card mounting brackets should be ordered separately. At least one card mounting bracket is required in the top position of a 3U panel and perhaps also in the centre positions on 6U and 9U panels.



4HP Ejector handles and front panels



Front panel fixings and brackets

CARD MOUNTING BRACKETS

The normal PCB mounting brackets are for use where front panels are mounted into IEC/DIN subracks and caseframes that require the conventional 2,54mm gap between the rear of the front panel and the PCB. Available in two versions; moulded in Noryl or zinc die-cast. The die cast version is now tapped in both axes, making assembly easier and quicker.

Material

Plastic card mounting bracket: Luranyl 2452/1, Green
 Metal card mounting bracket: Die cast Zinc

Contents of Kit

2 or 10 x brackets
 2 or 10 x M2.5 x 6 cheese head screws

Ordering information

Description	Ordercode
Plastic brackets (pair)	173-12525
Metal brackets (pair)	173-12526
Plastic brackets (pack 10)	173-232669
Metal brackets (pack 10)	173-253258 or 173-44767

FRONT PANEL SCREWS AND BUSHES

A variety of front panel screws and bushes are available to suit the KM6 range of front panels and also for general use.

KM6 CAPTIVE SCREWS AND BUSHES – FOR KM6 PANELS

The KM6 captive screw is available in a standard slotted or knurled thumb screw version, and should only be used with the KM6 bush. It's tapered collar design expands the jaws of the bush when tightened so that when the metal bush is used, a conductive path is formed to the front panel. Supplied in packs of 100.

Ordering information

Description	Fig No.	Ordercode
M2.5 Front panel slotted screw	1	953-236510
M2.5 Front panel thumb screw	3	953-236512
M2.5 Front panel bush, plastic	2	953-236507
M2.5 Front panel bush, conductive	4	953-236506

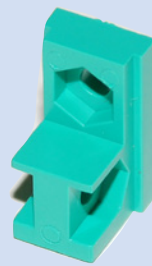
STANDARD CAPTIVE SCREWS AND BUSHES – FOR GENERAL USE

The standard captive screw is available in a standard slotted version only and can be used in three ways; (1) With a plastic M2.5 bush, (2) with a plastic M2.5 collar (threaded hole required in panel) or (3) with a metal M2.5 threaded insert.

Supplied in packs of 100 (except insert, pack 10)

Ordering information

Description	Fig No.	Ordercode
M2.5 Front panel slotted screw	5	174-39374
M2.5 Front panel bush, plastic	7	174-39373
M2.5 plastic collar	6	174-39385
M2.5 metal threaded insert (pk10)	8	174-229770



Card mounting bracket - plastic



Card mounting bracket - metal

Normal bracket

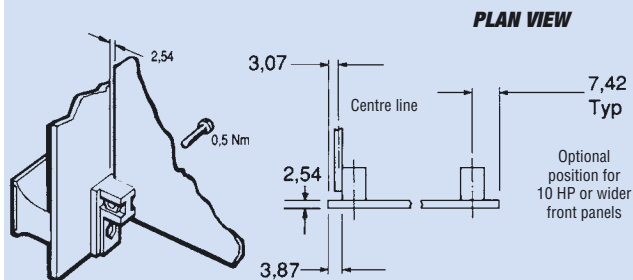


Fig .1 - Captive slotted screw



Fig .2 - Plastic bush



Fig .3 - Captive thumb screw



Fig .4 - Metal, conductive bush



Fig .5 - Captive slotted screw



Fig .6 - Plastic collar



Fig .7 - Plastic bush



Fig .8 - Metal threaded insert

FRONT PANEL HANDLES AND IDENTS

Handle and idents that are supplied in our standard front panel kits are available separately and can be used on any suitably drilled front panel. Separate idents make silk-screening company logos / product data easy. For 6U/4HP panels where a handle is required at the top, use "symmetrical" version. Supplied in packs of 10.

Material / finish

Plastic handle: Luranyl 2452/1, Black
 Handle Ident: 1.5mm Aluminium, anodised

Ordering information

Front panel width	Handle	Ident
3HP	174-39387	174-39402
4HP	174-39388	174-39403
4HP (symmetrical)	951-224779	174-39403
5HP	174-39389	174-39404
6HP	174-39390	174-39405
7HP	174-39391	174-39406
8HP	174-39392	174-39407
9HP	174-39393	174-39408
10HP	174-39394	174-39409
12HP	174-39395	174-39410
14HP	174-39396	174-39411
21HP	174-39397	174-39412
24HP	174-39398	174-39413
42HP	174-39399	174-39414

HANDLE FIXING HARDWARE

Description	Pack	Ordercode
M2.5 x 16 reduced head screw	100	174-63105
M2.5 shakeproof washer	100	27-1318
M2.5 hex nut	100	27-1319

SLIMLINE EXTRUDED HANDLES

When suitably drilled, panels can be fitted with this extruded aluminium handle, offering solvent resistance and freeing up panel component space - alternatively they can replace the plastic handles on standard KM6 front panels. They are supplied with a plastic slide moulding which houses an M2.5mm nut that locates in a channel at the back of the extrusion. The moulding has a location pip either side of the nut (5.08mm pitch) for alignment. Supplied in a pack of 10, 3HP-8HP handles have one moulding whilst 10HP-12HP handles have two. Note: If using with a metal card mounting bracket, must be the one specified below (not threaded type).

Ordering information

Description	Ordercode
3HP	953-250838
4HP	953-250839
5HP	953-250840
6HP	953-250841
8HP	953-250842
10HP	953-250843
12HP	953-250844
Metal card mounting bracket	172-44209

PCB POLARISING DEVICE MOUNTING BRACKET

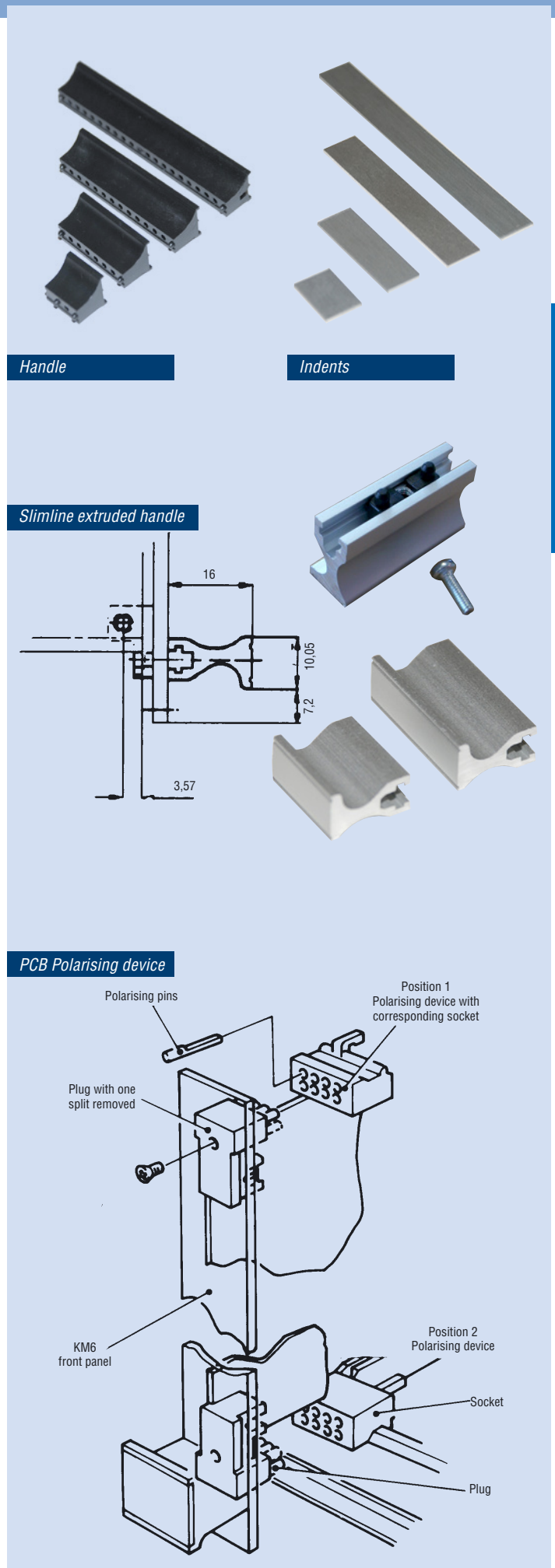
This kit provides the means to both mount PCBs to a front panel and also code them within a KM6_II subrack. The device is in two parts (plug and socket) and uses polarising pins for coding.

Contents of kits

Description	Qty.	Material/Finish
Card bracket / plug	2	Nylon 66 black
Top & bottom socket	1	Nylon 66 black
Polarising pins	4	Nylon 66 black

ORDERING INFORMATION

Description	Ordercode
Polarising Mounting Bracket	173-24169



Standard plug-in-units - 2 Rail

2 RAIL PLUG-IN UNITS

Standard 2 Rail plug-in units essentially consist of a front panel, a top & bottom aluminium guide rail and two connector mounting brackets which serve to retain the PCB in place. Supplied as a kit, they accept a standard size eurocard and provide two main advantages over using a standard front panel:

- 1) They place the PCB 5.08mm (1HP) to the left thus maximizing the use of space for components (alternatively they can be placed in the standard eurocard slot position)
 - 2) They provide the means to attach metal top, bottom and side covers to enclose the PCB, offering mechanical and electrical screening & protection
- Note: 2 Rail plug-in units are 111.8mm (3U) and 245.2mm (6U) in height (as opposed to 100mm / 233.4mm) and therefore must be used with low profile "plug-in unit" guides within a subrack.*

Features

- 3U and 6U heights
- 3HP-9HP widths, 160mm & 220mm depths
- PCB offset 1HP left to maximise component space
- Standard KM6 front panel & handle
- Metal screening kits for PCB protection

Contents of kits

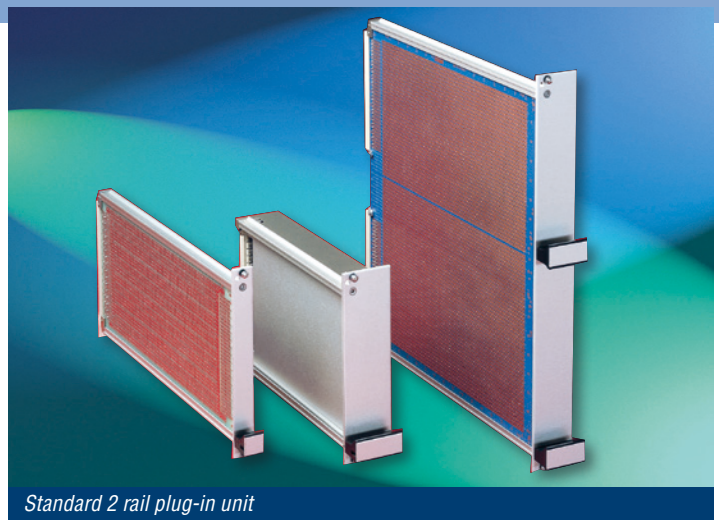
Description	Qty	Material/Finish
Front panel	1	2,5mm aluminium, anodise
Handle ident	3U x 1 6U x 2	1,5mm aluminium alloy
Handle	3U x 1 6U x 2	Luranyl 2452/1
Guide rails	2	Aluminium alloy, anodise,
Connector/PCB mounting brackets	2	Mazak 3
All fixings		

ORDERING INFORMATION

Height	Width	Order code	
		160mm deep	220mm deep
3U	3HP	957-236290	957-236307
	4HP	957-236294	957-236308
	5HP	957-236297	957-236309
	6HP	957-236298	957-236310
	7HP	957-236304	957-236311
	8HP	957-236305	957-236312
	9HP	957-236306	957-236313
	4HP	957-236315	957-236321
	5HP	957-236316	957-236322
6U	6HP	957-236317	957-236339
	7HP	957-236318	957-236340
	8HP	957-236319	957-236341

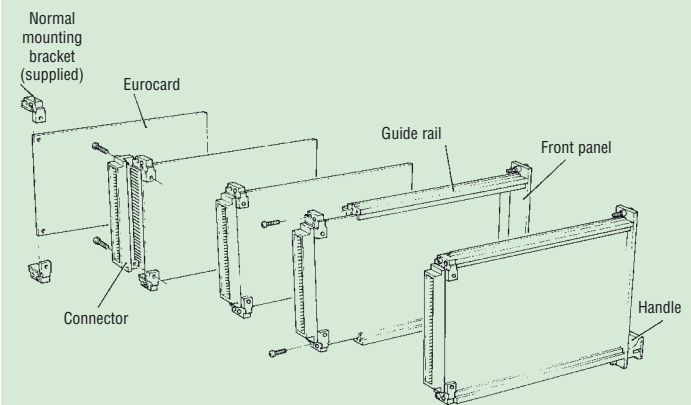
ORDER SEPARATELY

Product	Page
Left and right hand screening kits	13
Alternative PCB position brackets	12



Standard 2 rail plug-in unit

KM6 2 Rail plug-in units assembly



160mm modules fit to two piu guides **950-232664**
 220mm modules fit to two piu guides **950-232665**
 Guides are supplied in Pks of 10.

PCB / CONNECTOR MOUNTING BRACKETS

When the alternative (standard eurocard slot) PCB position is employed, "Alternative" PCB / connector mounting brackets should be used (order separately). "Normal" brackets are supplied in all plug-in units.

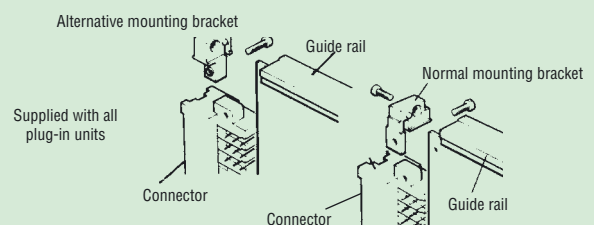
CONTENTS OF KITS

Description	Qty.	Material/Finish
Mounting brackets	10	Mazak 3
Fixings		

ORDERING INFORMATION

PCB / Connector Mounting Brackets	Qty.	Order code
Normal - PCB position 1HP left	10	174-13019
Alternative - PCB in standard eurocard slot	10	174-13020

PCB / CONNECTOR MOUNTING BRACKETS



Standard plug-in-units – 3U, 2 Rail Screening Kits

3U, 2 RAIL, PLUG-IN UNIT SCREEN KITS

Left and right side screens are designed to provide a protective cover for components on a printed circuit board when mounted in a plug-in unit.

Left hand screens protect the solder side of a PCB and are available in two depths of 160mm and 220mm. They slide into the module rails in the “normal” (1HP left) card position, meaning they can only be used when the PCB is in the “alternative” (standard eurocard) position. Each screen is therefore supplied with a pair of “alternative” mounting blocks which retain the screen at the rear of the module guide rails.

Right hand screens protect the component side of a PCB and also form the top, bottom & rear cover. They bolt directly to the module guide rail and are available in widths of 4HP-9HP and depths of 160mm and 220mm. A cut out in the rear provides clearance for a standard DIN 41612 connector.

Note: where a 2 rail module is fitted to the left of a divider kit, it is necessary to fit a right hand screen at least 1hp less than the width of the front panel to allow clearance for the divider plate.

CONTENTS OF KIT

Left hand screen kits	Qty	Material
Left hand screen	1	0.7mm Galv steel sheet
Alternative mounting block	2	Die cast

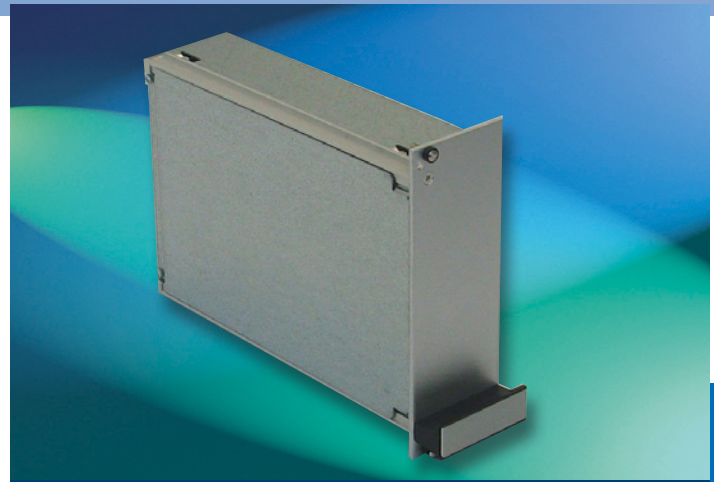
Right hand screen kits	Qty	Material
Right hand screen	1	0.7mm Galv steel sheet
M2,5 x 4 screw	4	Steel, Zinc plate
M2,5 single coil washer	4	Steel, Zinc plate

ORDERING INFORMATION - LEFT HAND SCREEN

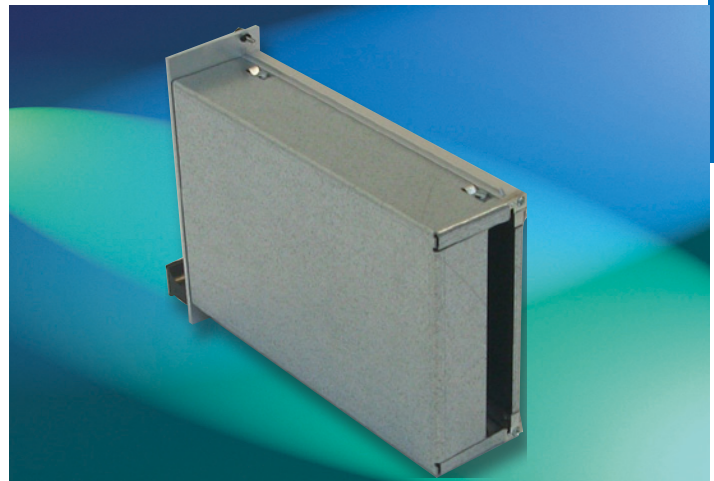
Ordercode	Ordercode
160mm Deep	220mm Deep
174-13021	174-12645

ORDERING INFORMATION - RIGHT HAND SCREEN

Width	Ordercode	Ordercode
	160mm Deep	220mm Deep
3U x 4hp	174-13023	174-12647
3U x 5hp	174-13024	174-4004418
3U x 6hp	174-13025	174-12648
3U x 7hp	174-13026	174-4004422
3U x 8hp	174-13027	174-4004424
3U x 9hp	174-13028	174-4004426

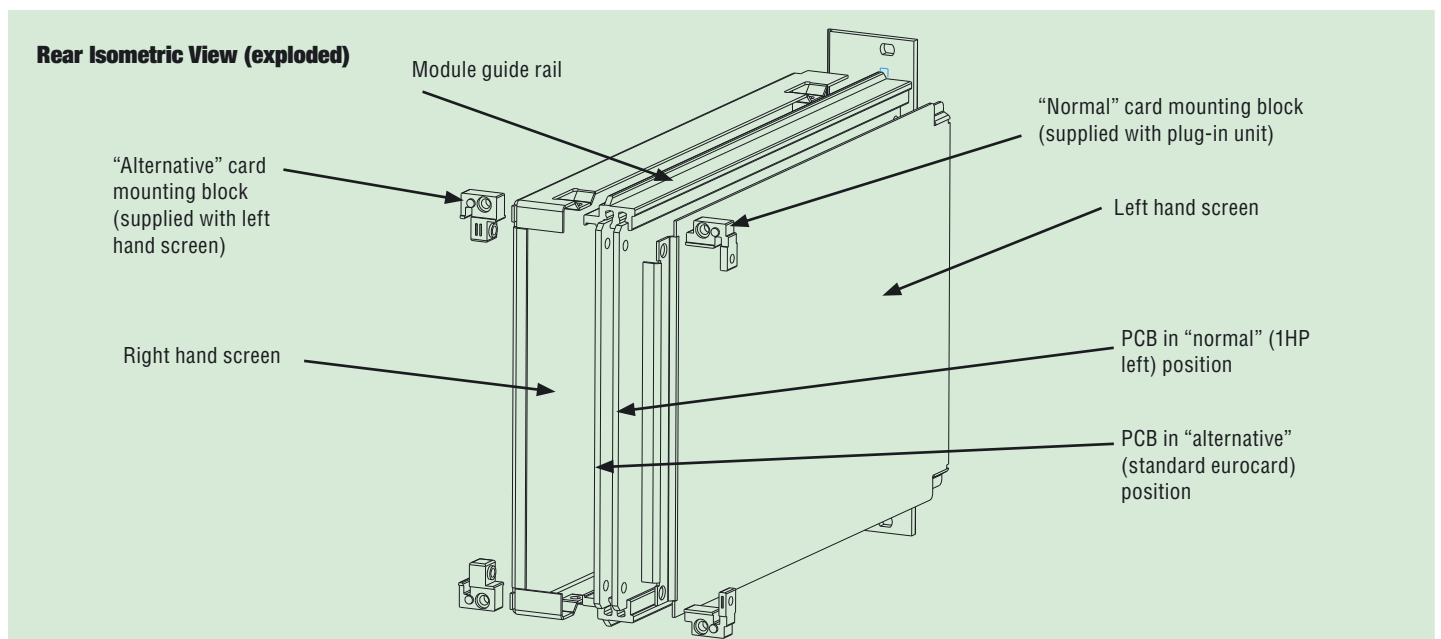


Standard 2 rail plug-in unit with left and right screen



Standard 2 rail plug-in unit with left and right screen

Note: 6U, 2 rail, plug-in unit screening kits, are available through TecServ+, please contact sales office for more information.



Standard plug-in units – 4 Rail

4 RAIL PLUG-IN UNIT

Standard 4 Rail plug-in units essentially consist of a front panel, top & bottom aluminium guide rails, rear connector plate and connector mounting brackets which serve to retain the PCB in place. Supplied as a kit, they accept a standard size eurocard and provide two main advantages over using a standard front panel:

- 1) They place the PCB 5.08mm (1HP) to the left thus maximizing the use of space for components (alternatively they can be placed in the standard eurocard slot position)
 - 2) They provide the means to attach metal top, bottom and side covers to enclose the PCB, offering mechanical and electrical screening & protection
- Note: 4-Rail plug-in units are 111.8mm (3U) and 245.2mm (6U) in height (as opposed to 100mm / 233.4mm) and therefore must be used with low profile "plug-in unit" guides within a subrack.*

Features

- 3U and 6U heights
- 10HP-42HP widths, 160mm & 220mm depths
- PCB offset 1HP left to maximise component space
- Standard KM6 front panel & handle
- Metal screening kits for PCB protection
- Break-off tags for optional second connector position

Contents of kits

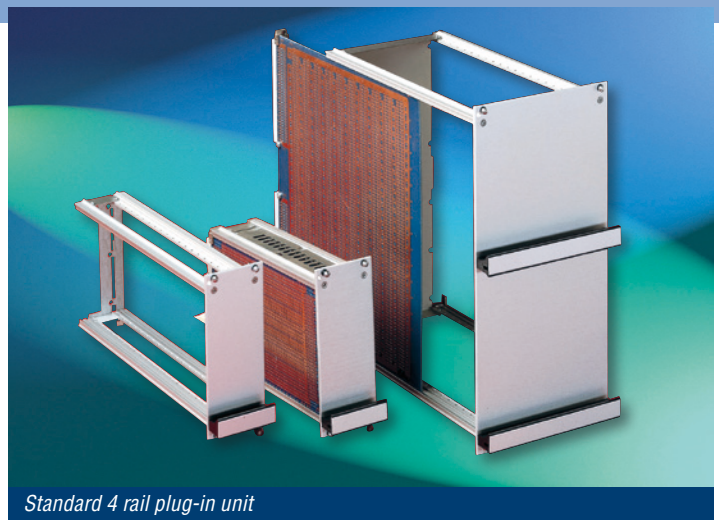
Description	Qty.	Material/Finish
Front panel	1	2,5mm aluminium, etch and clear anodise
Handle	3U x 1 6U x 2	Luranylo 2452/1, black
Handle ident	3U x 1 6U x 2	1.5mm aluminium alloy
Guide rails	4	Aluminium alloy, etch and clear anodise
Connector/pcb mounting brackets	2	Mazak 3
Rear panel		Steel
All fixings		

ORDERING INFORMATION

Height	Width	Order code	Order code
		160mm deep	220mm deep
3U	10HP	957-236386	957-236399
	12HP	957-236387	957-236400
	14HP	957-236388	957-236401
	21HP	957-236389	957-236402
	24HP	957-236390	957-236403
	42HP	957-236391	957-236404
6U	10HP	957-236393	957-236405
	12HP	957-236394	957-236406
	14HP	957-236395	957-236407
	24HP	957-236397	957-236409
	42HP	957-236398	957-236410

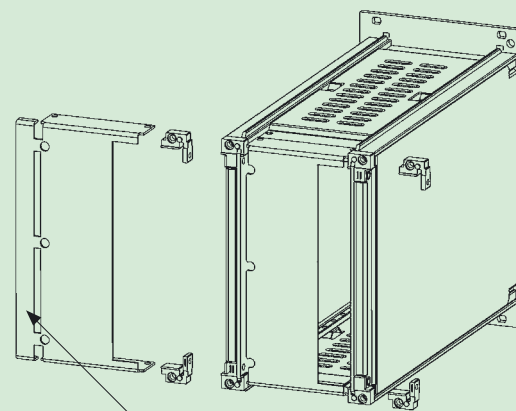
ORDER SEPARATELY

Product	Page
Left and right hand screening kits	15
Alternative PCB position brackets	14



Standard 4 rail plug-in unit

4 Rail plug in unit - rear view



Break this tag from rear panel when fitting a right hand screen or additional DIN connector in right position

PCB / CONNECTOR MOUNTING BRACKETS

When the alternative (standard eurocard slot) PCB position is employed, "Alternative" PCB / connector mounting brackets should be used (order separately). "Normal" brackets are supplied in all plug-in units.

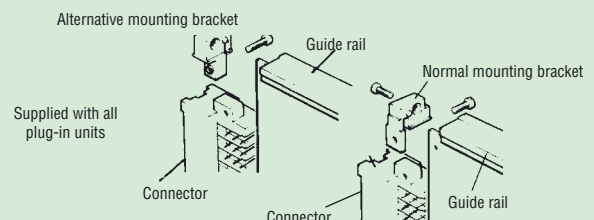
CONTENTS OF KITS

Description	Qty.	Material/Finish
Mounting brackets	10	Mazak 3
Fixings		

ORDERING INFORMATION

PCB / Connector Mounting Brackets	Qty.	Order code
Normal - PCB position 1HP left	10	174-13019
Alternative - PCB in standard eurocard slot	10	174-13020

PCB / CONNECTOR MOUNTING BRACKETS



Standard plug-in units – 3U, 4 Rail Screening Kits

3U, 4 RAIL PLUG-IN UNIT SCREEN KITS

Module screens are designed to provide a protective cover for components on a printed circuit board when mounted in a plug-in unit.

Left hand screens protect the solder side of a PCB and are available in two depths of 160mm and 220mm. They slide into the left module rails in the “normal” (1HP left) card position, meaning they can only be used when the PCB is in the “alternative” (standard eurocard) position. Each screen is therefore supplied with a pair of “alternative” mounting blocks which retain the screen at the rear of the module guide rails.

Right hand screens are similar in design to the left screens. They locate in the right module rail, are retained by “alternative” mounting blocks (supplied) and are available in depths of 160mm and 220mm.

Top and bottom covers are vented, allowing airflow through the module when in a suitably cooled subrack. They bolt directly to the modules guide rails and are available in widths of 10HP to 24HP and depths of 160mm and 220mm.

(Note 1: the metal “break off” part of the rear panel should be removed when fitting a right hand screen as it is no longer required to retain the PCB.)

(Note 2: when fitted to the left of a divider kit, the module should be fitted with the alternative right screen to allow clearance for the divider plate.)

CONTENTS OF KIT

Left and right hand screens	Qty	Material
Side screen	1	0.7mm Galv steel sheet
Alternative mounting block	2	Die Cast
M2,5 x 4 screw	4	Steel, Zinc plate
M2,5 single coil washer	4	Steel, Zinc plate

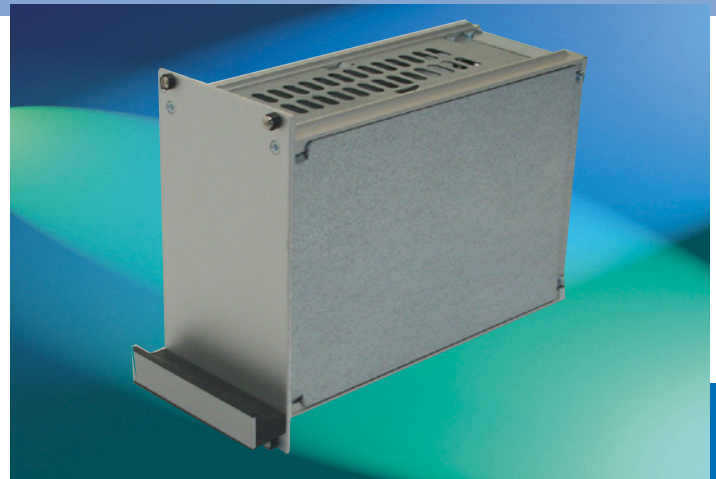
Top & bottom screen kits	Qty	Material
Top/bottom screen	2	0.7mm Galv steel sheet
Fixings		

ORDERING INFORMATION

Description	Ordercode	Ordercode
	160mm Deep	220mm Deep
3U right hand	174-13035	174-12649
3U right hand (alternative)	174-13021	174-12645
3U left hand	174-13021	174-12645

ORDERING INFORMATION

Top and bottom screens	Ordercode	Ordercode
	160mm Deep	220mm Deep
10hp	174-12965	174-12639
12hp	174-12966	174-4004430
14hp	174-12967	174-4004432
21hp	174-12968	174-12640
24hp	174-12969	174-4004436

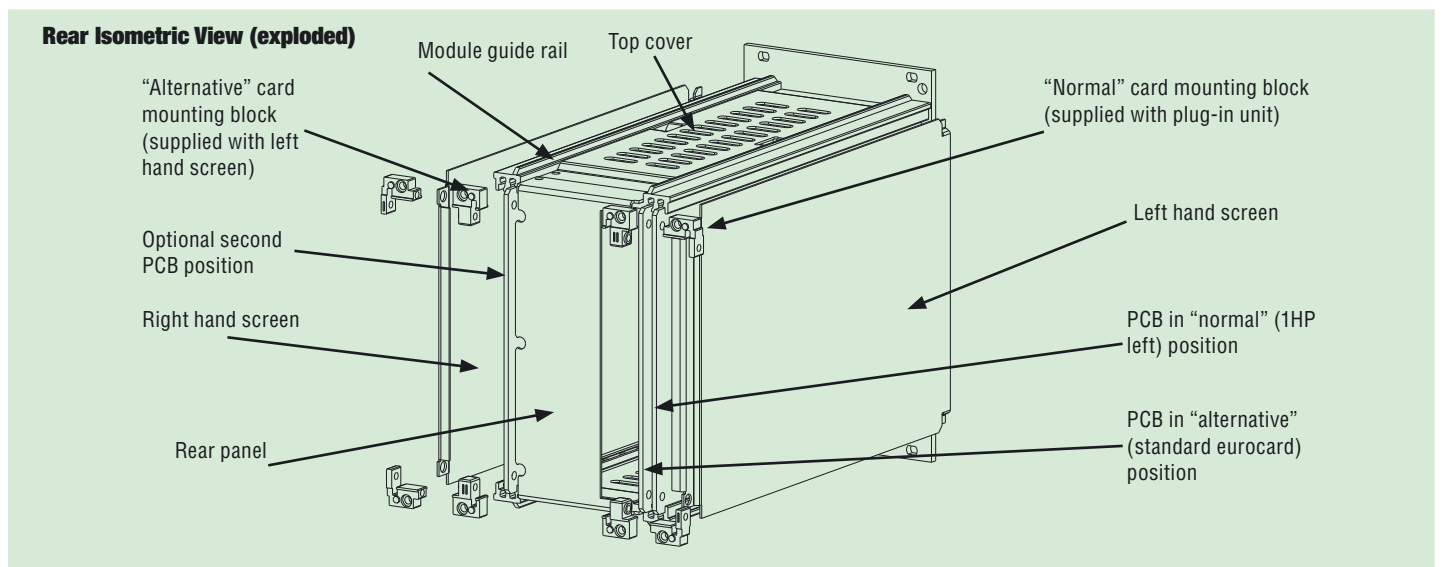


Standard 4 rail plug-in unit with top, left and right screen



Standard 4 rail plug-in unit with top, left and right screen

Note: 6U, 4 rail, plug-in unit screening kits, are available through TecServ+, please contact sales office for more information.



Standard plug-in units – screens

3U, 2 RAIL ENHANCED PLUG-IN UNIT

Supplied in kit form, the KM6 extruded plug-in unit offers strength and simple assembly

Features

- Normal or high-level screening versions
- 160mm & 220mm depths
- 3U Height, 6HP-10HP widths
- Electrical continuity between all components
- Mechanically strong for heavy components
- Front panels with anodised front face and chromated rear face
- DIN 41494 / IEC 60297 compatible

Construction is based on a conductive, extruded side plate offering new facilities. Right hand covers, with a rear cut-out for DIN 41612 connectors, slot into angled grooves in the extrusion and are retained positively at the rear of the module.

On high level screening level versions, additional fixings are provided at the front and rear to maintain limited slot lengths. Metal inserts are provided for electrical continuity when fitting into a subrack. Features are provided in the extrusion for 2 x 160mm/220mm tapped strips offering facilities for mounting components. Single eurocard / connector assemblies can be attached with separate metal mounting brackets. These modules mount to two PCB guides; 950-232662 (pk10) for the 160mm deep module or 950-232663 (pk10) for the 220mm deep version.

Contents of kit

Description	Qty.	Material/Finish
Front panel	1	2,5mm Aluminium alloy, clear anodised front face, chromated rear, horizontal grain
Side extrusion	2	Aluminium alloy, unfinished
Top, side and rear covers	1	1mm galvanised steel
Handle	1	Luranyl 2452/1, black
Ident label	1	1,5mm aluminium, anodised
Fixings		
Assembly instructions		

The normal version has plastic inserts, the higher level version metal inserts.

ORDERING INFORMATION

Description: 2 Rail module - 160mm deep version				Order codes	
Height	Width HP	Front panel width mm	PCB component height max.	Normal version	High level screening
3U	6	30,08	12,6mm	951-263113	951-263117
	7	35,16	17,7mm	951-263114	951-263118
	8	40,24	22,8mm	951-263115	951-263119
	10	50,40	32,9mm	951-263116	951-263120

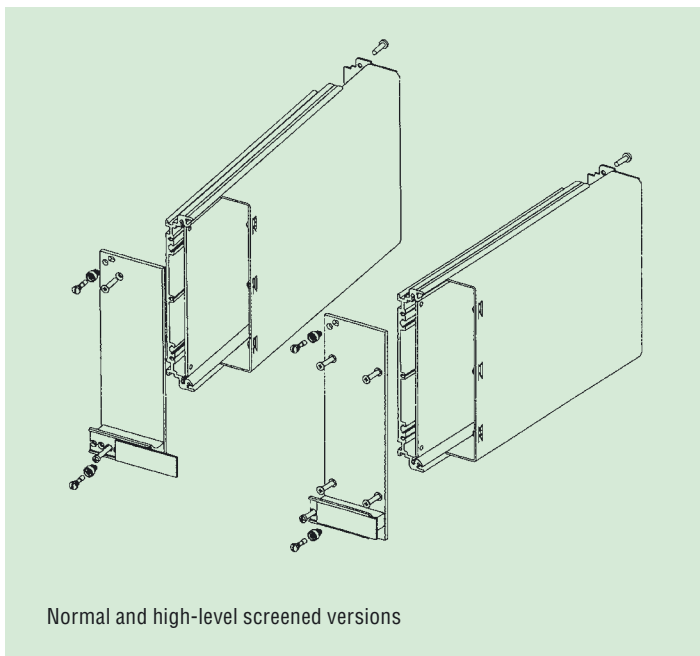
Description: 2 Rail module - 220mm deep version				Order codes	
Height	Width HP	Front panel width mm	PCB component height max.	Normal version	High level screening
3U	6	30,08	12,6mm	951-263903	951-263906
	8	40,24	22,8mm	951-263904	951-263907
	10	50,40	32,9mm	951-263905	951-263908

ORDER SEPARATELY

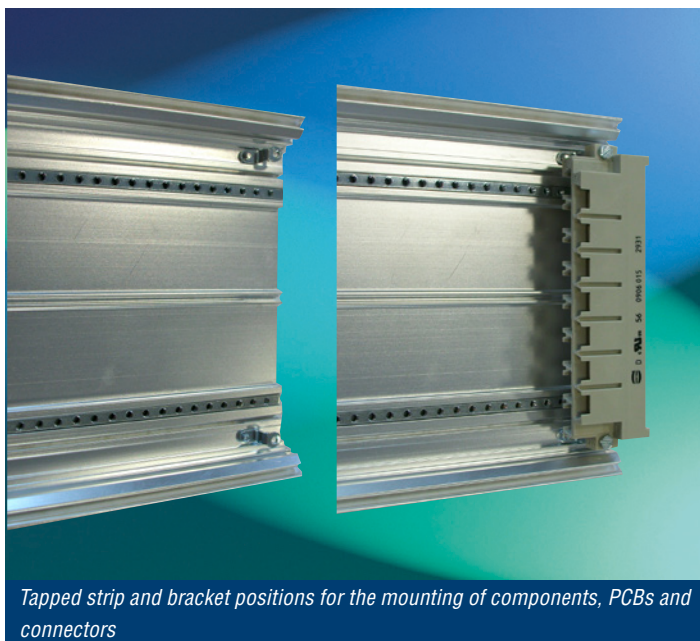
Metal front panel bush	pk 100	953-236506
PCB/connector mounting brackets	pk 5 pr.	951-263755
Tapped strip M2,5 x 160mm	pk 10	951-263756
Tapped strip M2,5, 42HP wide	1	950-202739



Enhanced 2 rail plug-in unit



Normal and high-level screened versions



Tapped strip and bracket positions for the mounting of components, PCBs and connectors

Enhanced plug-in units – 4 Rail

160MM AND 220MM DEPTH

Supplied in kit form, the KM6-II extruded plug-in unit offers strength and simple assembly.

Features

- Normal or high-level screening versions
- 160mm & 220mm depths
- 3U Height, 6HP-10HP widths
- Electrical continuity between all components
- Mechanically strong for heavy components
- Front panels with anodised front face and chromated rear face
- DIN 41494 / IEC 60297 compatible

Construction is based on two conductive extruded side plates offering new facilities. Ventilated top and bottom covers slide into angled grooves in the extrusions. Rear covers, with a cut-out for DIN 41612 connectors, screw to the side extrusions.

On high screening level versions, additional fixings are provided at the front and rear to maintain limited slot lengths. Metal inserts are provided for electrical continuity when fitting to the subrack.

Features are provided in the extrusion for two x 160mm tapped strips offering facilities for mounting components. Single Eurocard/connector assemblies can be attached with separate metal mounting brackets.

These modules mount to four PCB guides: 950-232662J (PK.10) for the 160mm deep module or 950-232663G (PK.10) for the 220mm deep version.

Contents of kit

Description	Qty.	Material/Finish
Front panel	1	2,5mm Aluminium alloy, clear anodised front face, chromated rear, horizontal grain
Side extrusion	2	Aluminium alloy, unfinished
Top, bottom and rear covers	1	1mm galvanised steel
Handle	1	Luranyl 2452/1, black
Ident label	1	1,5mm aluminium, anodised
Fixings		
Assembly instructions		

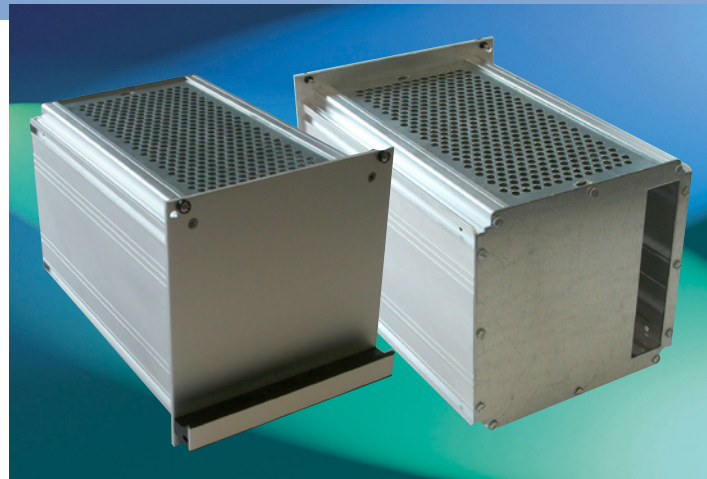
The normal version has plastic inserts, the higher level version metal inserts.

ORDERING INFORMATION

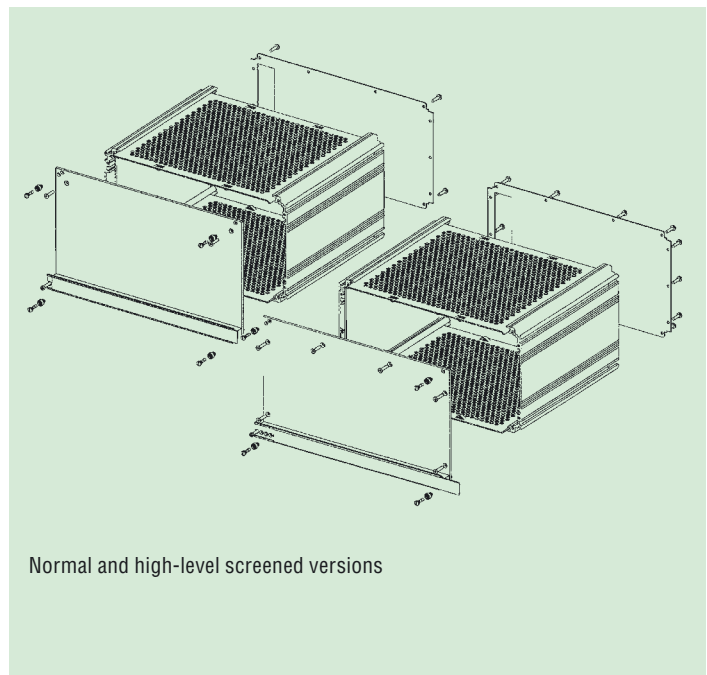
Description: 4 Rail module - 160mm deep version				Order codes	
Height	Width HP	Front panel width mm	PCB component height max.	Normal version	High level screening
3U	12	60,56	39,2mm	951-263121	951-263126
	14	70,72	49,3mm	951-263122	951-263127
	21	106,28	84,9mm	951-263123	951-263128
	24	121,52	100,1mm	951-263124	951-263129
	42	212,96	191,6mm	951-263125	951-263130
Description: 4 Rail module - 220mm deep version					
3U	12	60,56	39,2mm	951-263909	951-263913
	14	70,72	49,3mm	951-263910	951-263914
	21	106,28	84,9mm	951-263911	951-263915
	24	121,52	100,1mm	951-263912	951-263916

ORDER SEPARATELY

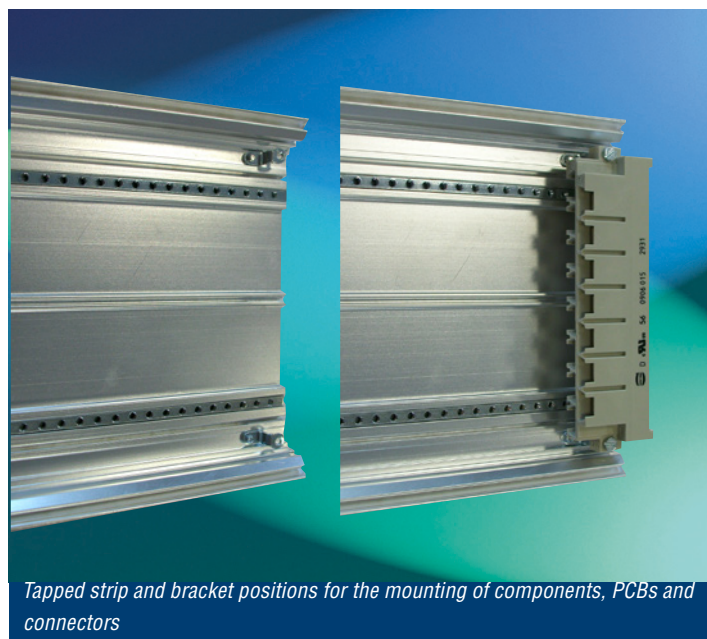
Metal front panel bush	pk 100	953-236506
PCB/connector mounting brackets	pk 5 pr.	951-263755
Tapped strip M2,5 x 160mm	pk 10	951-263756
Tapped strip M2,5, 42HP wide	1	950-202739



Enhanced, 4 rail plug-in unit



Normal and high-level screened versions

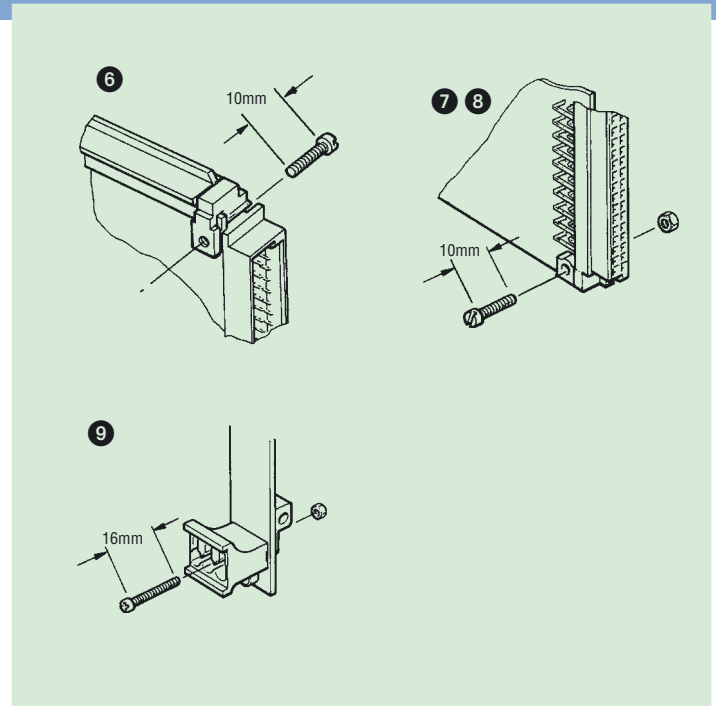


Tapped strip and bracket positions for the mounting of components, PCBs and connectors

PLUG-IN UNIT AND FRONT PANEL FIXINGS

ORDERING INFORMATION

Key	Function	Type	Qty.	Order code
6	Connector to mounting block	M2,5 x 10mm	100	41-20505
7	Connector to PCB	M2,5 x 10mm	100	41-20505
8	Nut for above	M2,5	100	27-1319
9	Handle to front panel	M2,5 x 16	100	174-63105



MODULE GUIDE RAILS

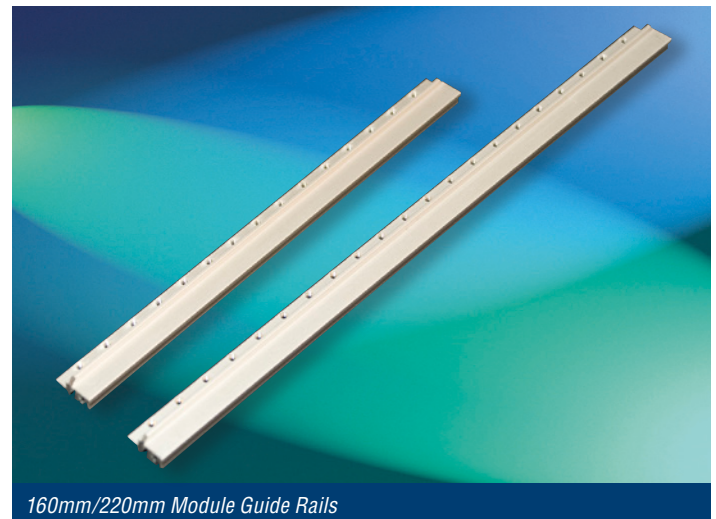
Available to purchase separately are the module guide rails used on, the standard 2-rail and 4-rail plug-in units. Supplied singly in 160mm or 220mm lengths.

MATERIAL/FINISH

Aluminium extrusion.

ORDERING INFORMATION

Description	Ordercode
160mm	174-39378
220mm	174-39377



160mm/220mm Module Guide Rails

SHIELDED IEEE PANELS - BLANK

Blank (or filler) panels are used in vacant slots to maintain EMC & airflow integrity of a system but also for aesthetics and to deny access to components within. They are fitted with a stainless steel, double-swipe, EMC gasket that interfaces with adjacent panels to create an RFI shield and does not snag when adjacent cards are extracted. Manufactured from 2.5mm thick extruded aluminium with a vertical grain and a conductive (iridite NCP) finish, they are supplied with metal bushes (for maximum conductivity) and slotted captive screws. 2HP-6HP width panels have a single screw fixing top and bottom whereas 8HP-12HP have two top and bottom.

FEATURES

- Industry standard IEEE 1101.10/11 front panel geometry
- Double swipe gasket design to prevent snagging
- Conductive finish
- Supplied with fixings

Contents of kit

Description	Qty.	Material/Finish
Front panel	1	Aluminium extrusion, etch & iridite NCP
EMC gasket (fitted)	1	Stainless steel
Fixings		

SHIELDED IEEE PANELS - FIXED HANDLE

Fixed handle panels are similar to the above blank panels except they are drilled to accept handles and card mounting brackets for attaching a eurocard PCB. They are supplied with EMC gasket fitted and a kit comprising slotted, captive fixing screws, metal bushes (for maximum conductivity), plastic handle(s), aluminium ident(s) and necessary fixing hardware. 4HP-6HP width panels have a single fixing screw position top and bottom whereas 8HP-12HP have two top and bottom. 3U panels are supplied with one handle whereas 6U panels are supplied with two.

Contents of kit

Description	Qty.	Material/Finish
Front panel	1	Aluminium extrusion, etch & iridite NCP
EMC gasket (fitted)	1	Stainless steel
Handle	1(3U), 2(6U)	Luranyl 2452/1, black
Handle ident	1(3U), 2(6U)	1.5mm Aluminium, anodised
Fixings		

ORDERING INFORMATION

Nominal Height	Nominal Width	BLANK	FIXED HANDLE
		Order Code	Order Code
3U	2HP	951-4004051	-
	4HP	951-4004079	951-4004514
	5HP	951-4004080	951-4004515
	6HP	951-4004081	951-4004516
	8HP	951-4004082	951-4004517
	10HP	951-4004083	951-4004518
6U	12HP	951-4004084	951-4004519
	2HP	951-4004050	-
	4HP	951-4004085	951-4004520
	5HP	951-4004086	951-4004521
	6HP	951-4004087	951-4004522
	8HP	951-4004088	951-4004523
9U	10HP	951-4004089	951-4004524
	12HP	951-4004090	951-4004525
4hp	951-4004091	-	



KM6 Shielded panels - blank



KM6 Shielded panels - fixed handle

KM6 Shielded (IEEE) Front Panels - Injector / Ejector

IEEE SHIELDED (IEEE) FRONT PANELS - INJECTOR / EJECTOR

IEEE injector / ejector handle panels are designed for applications with high connector-pin counts, where high insertion / extraction forces exist such as CompactPCI, VME64x & VPX. The handles provide inject / eject functionality, ESD protection, front panel pre-location, card mounting, positive screw retention, ganging & coding key options and ease of use thanks to an ergonomic design and spring loaded / push button operation. An industry compliant micro switch assembly can be fitted for live insertion applications when the panel is suitably machined and should be ordered separately. The panel is fitted with a double-swipe, EMC gasket to prevent snagging of adjacent cards and supplied with a kit comprising IEEE ejector handle(s) and necessary fixing hardware. 4HP-6HP width panels have a single screw position top and bottom whereas 8HP-12HP have two top and bottom. 3U panels are supplied with one bottom handle and include a card mounting bracket position at the top. 6U panels are supplied with top and bottom handle.

FEATURES

- IEEE1101.10/11 Compliant
- Pre-location and ESD Pins
- Ganging option
- Various coding options
- Ergonomic design
- Double swipe gasket design to prevent snagging
- Push-button release / sprung operation
- Micro switch accessory

CONTENTS OF KIT

Description	Qty	Material / Finish
Front Panel	1(3U), 2(6U)	Aluminium extrusion, Clear Chromate
EMC gasket (fitted)	1	Stainless Steel
Handles	1 on 3U	Diecast bracket = Zinc alloy, bright nickel plate
	2 on 6U	Handle = UL94-V0 Industrial plastic
Fixings		

ORDERING INFORMATION

Height	Width	Ordercode
3U	4HP	951-4003248
	5HP	951-4003249
	6HP	951-4003250
	8HP	951-4003251
	10HP	951-4003252
	12HP	951-4003253
6U	4HP	951-4003254
	5HP	951-4003255
	6HP	951-4003256
	8HP	951-4003257
	10HP	951-4003258
	12HP	951-4003259

IEEE 1101.10/11 INJECTOR / EJECTOR HANDLES & ACCESSORIES

Injector / ejector handles as used on the above front panels may be ordered separately; refer to Application Note: 139-4003348 for front panel profile dimensions. Also available for use with the handles is the micro switch (for live insertion applications) and IEEE 1101.10 compliant coding keys.

ORDERING INFORMATION

Description	Ordercode
Top Handle	959-4002825
Bottom Handle	959-4002826
Coding Keys (Pack 100)	959-277031
Microswitch Assembly (50mm) plus fixings	959-4003324

PMC BEZELS AND COVER PLATES

Compliant to IEEE1386 the PMC bezel is manufactured from extruded aluminium, has a clear chromate finish and includes a round spring EMC gasket. It allows a standard PCI Mezzanine Card to be fitted and can be machined to accept front panel I/O connectors & indicators.

The stainless steel PMC cover plate is used simply to blank a PMC aperture in a front panel where a PCI Mezzanine Card isn't fitted.

ORDERING INFORMATION

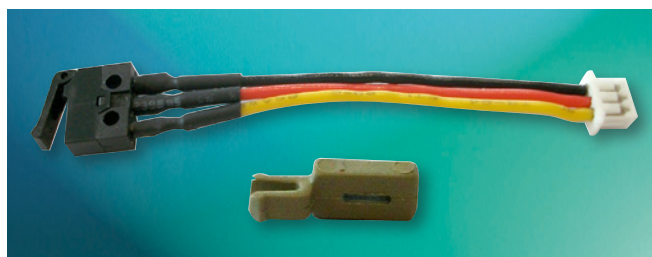
Description	Ordercode
PMC Bezel (Including Gasket)	959-4003325
PMC Cover Plate	959-4003326



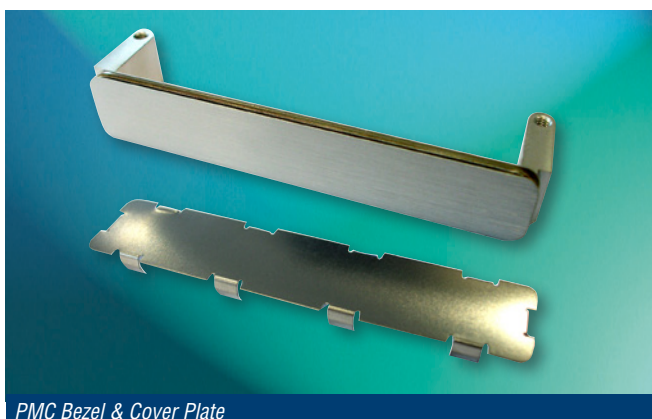
KM6 shielded panels - injector / ejector handles



Top & bottom IEEE1101.10/11 ejector handles



Micro Switch Assembly & Coding Key



PMC Bezel & Cover Plate

FRONT PANEL CAPTIVE SCREWS AND BUSHES

For panel only situation where the width of the panel or type of panel requires additional fixing (Injector/extractors are supplied with screws) and complete panel kits.

- Positive retention
- Plastic or metal bushes

Contents of kit

Description	Material/Finish
Front panel fixings: Screws	M2,5 x 11
Front panel fixings: Bushes	Plastic, black
Front panel fixings: Bushes	Metal

ORDERING INFORMATION

Description	Qty.	Order code
Front panel screws	pk.100	953-236510
Front panel bush, plastic	pk.100	953-236507
Front panel bush, conductive	pk.100	953-236506
Front panel thumb screw	pk.100	953-236512

DOUBLE SWIPE EMC GASKET

This stainless steel, slide-on, EMC gasket is fitted to all shielded front panels, providing a conductive interface and hence RFI shield with the adjacent panel. The "double swipe" design prevents any snagging that often occurs with finger-strip types when cards are extracted. Supplied in packs of 10.

Contents of kit

Description	Qty.	Material/Finish
Vertical EMC gasket	10	Stainless steel

ORDERING INFORMATION

Description	Qty.	Order code
3U EMC gasket	pk.10	900-4004946
6U EMC gasket	pk.10	900-4004947
9U EMC gasket	PK.10	900-4004948

NORMAL PCB MOUNTING BRACKETS

The normal PCB mounting brackets are for use where front panels are mounted into IEC/DIN subracks and caseframes that require the conventional 2,54mm gap between the rear of the front panel and the PCB.

Available in two versions; moulded in Noryl or zinc die-cast. The die cast version is now tapped in both axes, making assembly easier and quicker.

Contents of kits

Description	Qty.	Material
Normal bracket	10	Luranyl 2452/1, green or die cast zinc

ORDERING INFORMATION

Description	Qty	Order code
Normal brackets (plastic) and fixings	10	173-232669
Normal brackets (metal) and fixings	10	173-253258



Fig .1 - Captive slotted screw



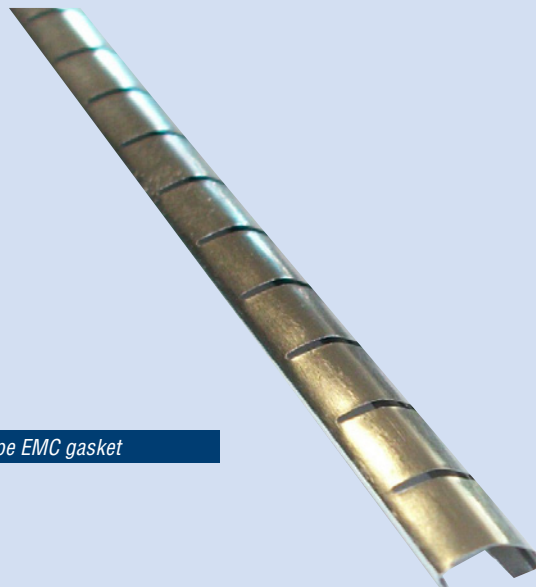
Fig .2 - Plastic bush



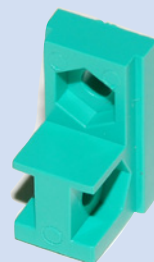
Fig .3 - Captive thumb screw



Fig .4 - Metal, conductive bush



Double swipe EMC gasket

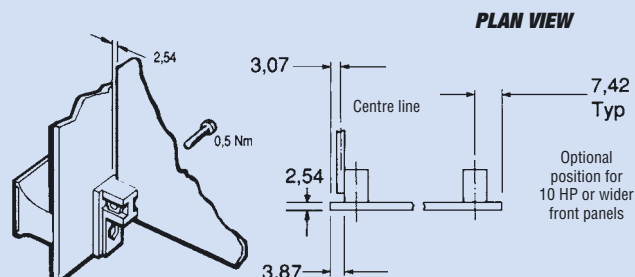


Card mounting bracket - plastic



Card mounting bracket - metal

Normal bracket



VXI Front panels and modules

In support of the VXIbus standard, Verotec offers a range of RFI shielded duty modules and front panel kits.

VXI DUTY MODULES

This module has a relatively high screening capability, and is available in single and double widths, 'C' and 'D' sizes.

The module consists of a channel section front panel, incorporating ejector handles and card mounting brackets, ventilated left and right covers and EMC sealing. Connector screening is incorporated in the side covers. The Eurocard sized PCB provides the guide rail facility for the module as required in the specification. The construction of the side covers is such that access to the PCB can be simply gained by the removal of four screws.

All metal components are conductively finished and the front panel has metal inserts to ensure good electrical contact between the module and the subrack.

Contents of kits

Description	Material/Finish
Front panel-normal duty	Aluminium extrusion BS1474HE9TF, finish; conductive
Side panels	0,9mm zintec steel, zinc and clear passivate

ORDERING INFORMATION

Description	Order code
'C' Size single - Normal duty module	207-203543
'C' Size double - Normal duty module	207-203544
'D' Size single - Normal duty module	207-222524

Typical shielding performance - normal duty modules

These performance figures were obtained by testing a representative sample from production batches. The tests carried out were in accordance with MIL-STD-285, modified where necessary due to the nature of the module. The figures are given as a guideline. Any additions or modifications will have an effect upon the shielding performance and it is, therefore, essential that these units are retested once the final unit is complete.

Performance figures were obtained reading from the right hand (component) side of the module. The figures stated were obtained from our in-house test facility.

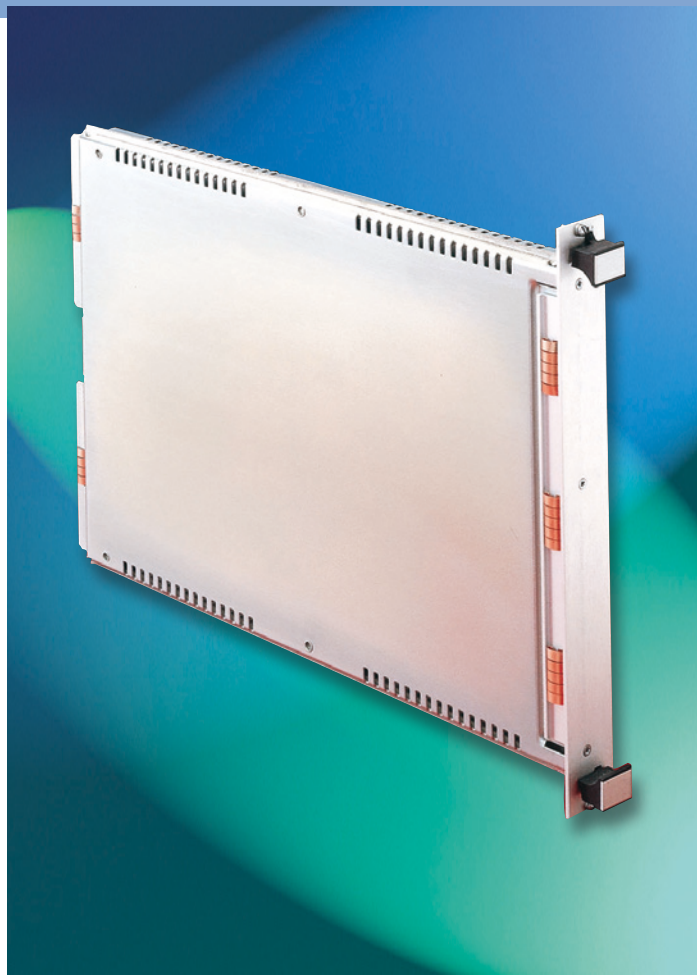
VXI COMPATIBLE FRONT PANEL KITS

These panels are available separately from the module for situations where EMC screening of the individual pcb is not required, but it is necessary to maintain the overall subrack's RFI screen. Available in the same variants as the VXI modules, the kits include ejector handles, mounting hardware, fixings and EMC fixings.

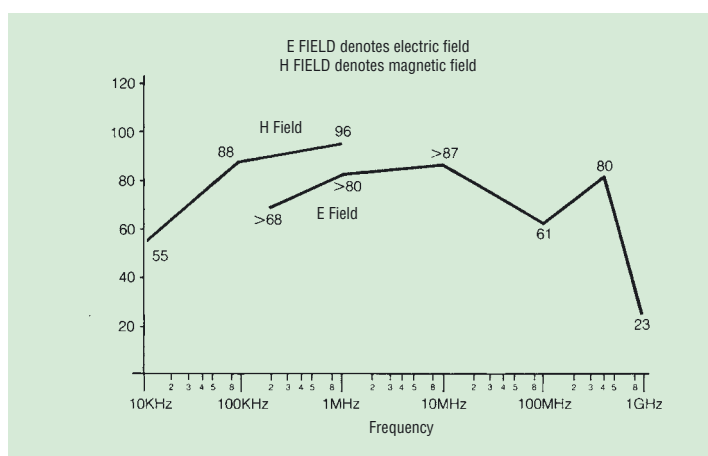
Ordering information

Description	Order code
6U x 6 HP Normal duty	207-227109
6U x 12 HP Normal duty	207-227110
9U x 6 HP Normal duty	207-227111

For details on VXI backplanes and systems, please refer to the **Backplanes & Systems** brochure / section."



VXI module



VXI module shielding performance



VXI compatible front panel kits

PERIPHERAL MOUNTING ADAPTORS (PMA)

Verotec's peripheral mounting assemblies (PMAs) are designed to comply with industry standard IEC60297 (for standard eurocard applications) and IEEE1101.10, for use in VME64 Extensions and CompactPCI systems. Standard eurocard types use a 3mm anodised aluminium front panel with fixed handles whilst VME64x & CPCI types have chromated (conductive) front panels with RFI gasket and fixed handles. Both are supplied with fixing hardware.

Three types are available; the first is for vertically mounting a single standard 5.25", front accessible peripheral such as a CD / DVD drive. The second is for mounting one standard 3.5", front accessible peripheral (such as a floppy disk) and one standard 3.5", embedded peripheral (such as a hard disk drive). The third is for mounting a single 2.5" embedded hard disk drive.

ORDERING INFORMATION

Standard IEC60297

Module Size	Drive Type	F/Panel Cutout	Ordercode
6U x 12HP	1 x 5.25"	1 @ 41 x 147mm	950-4001256
6U x 8HP	2 x 3.5"	1 @ 25 x 102mm	950-4001257
3U x 4HP	1 x 2.5"	N/A	950-4002633

Shielded IEEE1101.10

Module Size	Drive Type	F/Panel Cutout	Ordercode
6U x 12HP	1 x 5.25"	1 @ 41 x 147mm	950-4001327
6U x 8HP	2 x 3.5"	1 @ 25 x 102mm	950-4001328
3U x 4HP	1 x 2.5"	N/A	950-4005469

AIR BAFFLE CARDS

The air baffle card is designed to be used in vacant system slots to both close the front panel area and block airflow. In doing so, cooling air is diverted to active cards, thus maintaining the correct system airflow profile.

The air baffle card is available with or without handles, in standard 3U and 6U Eurocard heights, depths of 160mm and 220mm and is 4HP (one slot) wide. Customers also have the choice of either an unshielded (IEC60297) version or a shielded (IEEE 1101.10) version.

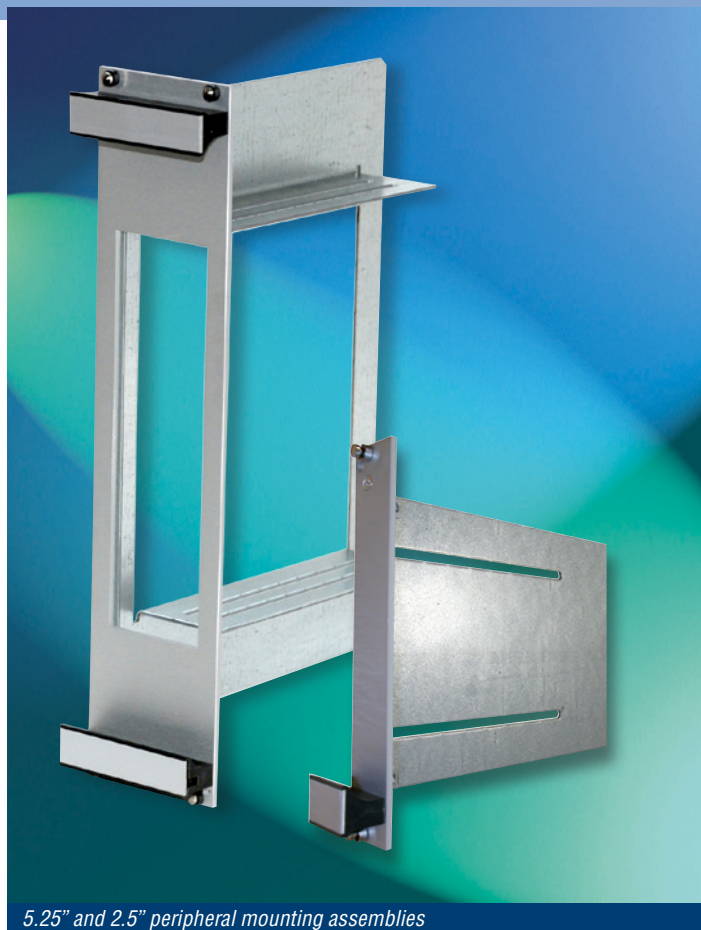
ORDERING INFORMATION

Standard (IEC 60297) versions:

Description	Ordercode
3U x 160mm, with handles	950-4001329
3U x 160mm, without handles	950-4001330
3U x 220mm, with handles	950-4001331
3U x 220mm, without handles	950-4001332
6U x 160mm, with handles	950-4001333
6U x 160mm, without handles	950-4001334
6U x 220mm, with handles	950-4001335
6U x 220mm, without handles	950-4001336

Shielded (IEEE 1101.10) versions:

Description	Ordercode
3U x 160mm, with handles	950-4001337
3U x 160mm, without handles	950-4001338
3U x 220mm, with handles	950-4001339
3U x 220mm, without handles	950-4001340
6U x 160mm, with handles	950-4001341
6U x 160mm, without handles	950-4001342
6U x 220mm, with handles	950-4001343
6U x 220mm, without handles	950-4001344



5.25" and 2.5" peripheral mounting assemblies



Standard 6U 4HP 160mm air baffle card with handles