

# VEROTEC

Electronics Packaging



**Diplomat Cases  
& Caseframes**

## CUSTOM DIPLOMAT CASES AND CASEFRAMES

TecServ+ is the vehicle by which Verotec delivers its value added services. These fall within 5 main categories and are described below. When it comes to Diplomat cases and caseframes, we've worked with many customers in the past to design, manufacture and help bring to market modified and custom versions of our standard products – a small selection of these are pictured below. If you have any special Diplomat requirements, please contact our sales office.

### ENGINEERING SERVICES:

- + Complete review of commercial, electro-mechanical, environmental and regulatory product requirements with customer.
- + Import of STEP, IGES, DWG & DXF file formats
- + Mechanical and electrical design using latest CAD software
- + 3D Modelling to allow conceptual testing before production
- + Component selection from a vast library of parts

### MANUFACTURING SERVICES:

- + Prototype / pre-production samples using small batch shop
- + Modification of standard catalogue products (including machining, CNC punching, laser cutting, painting & silk-screening)
- + Manufacture of custom / bespoke products (including fabrication, machining, CNC punching, plating, painting & silk-screening)
- + Assembly & kitting of components
- + Integration & mechanical / electrical testing of complex systems

### COMPLIANCE SERVICES:

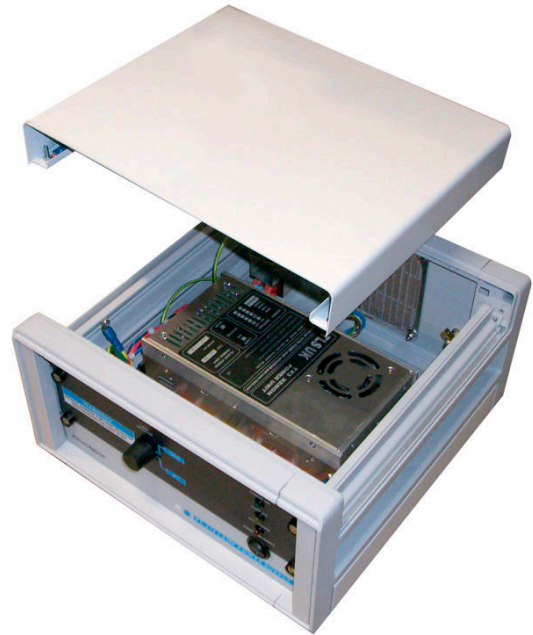
- + Validation of product design and/or specification
- + Advice on environment legislation (RoHS, Reach, Weee etc.)
- + In-house pre-compliance testing for CE marking (Safety, EMC)
- + Supply of product technical construction file
- + Testing & certification of a product at an approved test house (for EMC, shock & vibration, altitude, temperature, humidity etc.)

### LOGISTICAL SERVICES:

- + Express manufacturing service for quick turnaround of urgent orders
- + Special / bespoke packaging for safe transport of goods
- + Scheduled orders (including JIT and KAN BAN systems)
- + Stock holding & distribution
- + Exporting (including export packaging, land/sea/air transportation, freight forwarding, customs documentation & shipping manifests)

### PROJECT MANAGEMENT SERVICES:

- + Initial project consultation
- + Capability and feasibility study
- + Estimation of project cost and leadtime
- + Management of design process (specification to validation)
- + Management of manufacturing process (prototype to production)
- + Cost reduction programmes throughout product life cycle



**Fully integrated 3U, 10.5" standard Diplomat case with machined & screened front and rear panels - scientific application.**



**3U, 19" Standard Diplomat powder coated black - general electronics application**



**3U, 19" Standard Diplomat with machined/screened frontpanels - medical instrument application**



## INTRODUCTION

Verotec's DIPLOMAT metal enclosure range is recognised worldwide as one of the leading products in its field having evolved around a number of international standards and in response to a number of trends. These cases are strong, yet lightweight and provide an inherent level of EMC protection due to their overall metal construction. Available as cases, and caseframes, DIPLOMAT provides a tough, yet aesthetically pleasing packaging solution which is equally effective in workshop, laboratory or office environments.

## THE DIPLOMAT PRINCIPLE

Why would you choose to use a DIPLOMAT enclosure? In a word, accuracy. The need to provide a precise framework in which subracks are supported and protected is most efficiently achieved using accurate die-casting technology and hard-tooled cover designs. The function of an enclosure now extends far beyond the pure packaging role and covers such areas as RFI protection.

## RFI PROTECTION

Using tests based on, and adapted from, MIL-STD 285 DIPLOMAT is proven to achieve an impressive level of EMC protection as standard. For users requiring a greater measure of EMC protection DIPLOMAT caseframes can be converted into fully RFI shielded units by means of optional conversion kits

## VERSATILITY

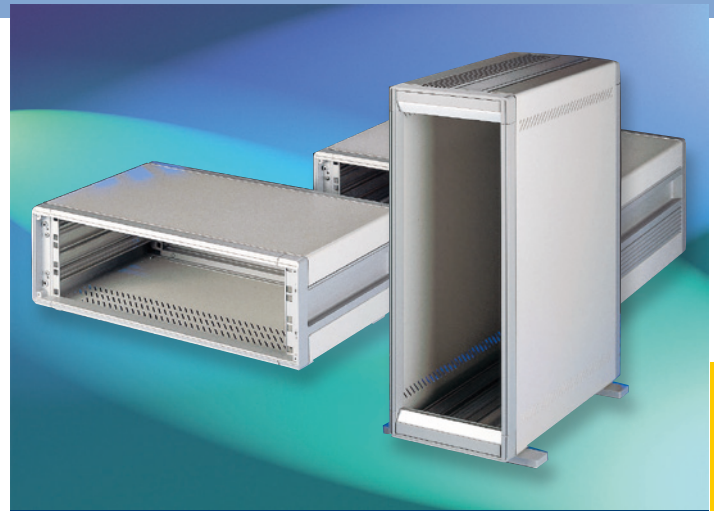
A wide range of optional features and accessories ensure that the DIPLOMAT range meets and fulfils many requirements, from simple desktop instrument enclosures to mobile computer housings.

## DIPLOMAT 19" AND 10½" CASES

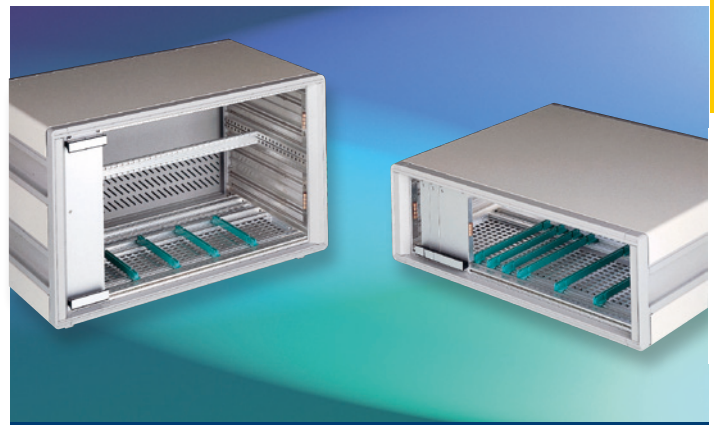
DIPLOMAT 19" and 10½" cases are designed for the direct mounting of subracks and chassis to IEC 297-1 and DIN 41494. They are strong and lightweight, with inherent EMC protection due to their metal construction. They have also obtained an IP rating of 30. A fan plinth design has improved the cooling performance of this unit significantly, results of which are published on page 4.04 of this brochure. A very large range of ex-stock sizes are available and can now be assembled to order and despatched with accessories fitted. Due to the nature of its construction, this unit is also easily customised, so please ask our Sales Office for more details.

## DIPLOMAT CASEFRAMES

DIPLOMAT caseframes are designed for the direct mounting of Eurocard circuit boards and modules to IEC 297-3, DIN 41494 Pt. 5 and BS 5954. They are available with EMC conversion kits which give high levels of attenuation. The basic unit however will also afford EMC protection due to its metal construction. The cooling performance of this unit has also been improved, especially in the slot 1 region of VME systems, where hot cards are often situated. These units are supported by a range of accessories which increase its versatility and application environment. These units are also rated at IP30.



DIPLOMAT 19" Cases



Diplomat Eurocard Caseframes

| CONTENTS  | PAGE             |
|---|------------------|
| Introduction to Diplomat  | 4.03             |
| Cooling performance   | 4.04             |
| EMC and IP sealing effectiveness                                | 4.05             |
| <b>DIPLOMAT 10.5" and 19" Cases &amp; Accessories</b>           | <b>4.06-4.14</b> |
| Case overview and accessory index                               | 4.06             |
| Cases: 3U and 4U horizontal versions                            | 4.07             |
| Cases: 3U and 4U vertical versions                              | 4.08             |
| Cases: 6U and 9U horizontal versions                            | 4.09             |
| Case accessories: transparent doors & carry handles             | 4.10             |
| Case accessories: front panels & bezel trims                    | 4.11             |
| Case accessories: rear panels & rear cable tidy                 | 4.12             |
| Case accessories: bump down feet & rear bezel trims             | 4.13             |
| Case accessories: earthing kits, chassis supports & trays       | 4.14             |
| <b>DIPLOMAT Caseframes &amp; Accessories</b>                    | <b>4.15-4.22</b> |
| Caseframe introduction  | 4.15             |
| Caseframe overview and accessory index                          | 4.16             |
| Caseframes: 3U and 6U horizontal versions                       | 4.17             |
| Caseframes: 3U vertical & vented plinth versions                | 4.18             |
| Caseframe: Accessories: transparent doors & front panels        | 4.19             |
| Caseframe: Accessories: bezel trims, carry handles & earth kits | 4.20             |
| Caseframe: Accessories: rear panels                             | 4.21             |
| Caseframe: Accessories: fans, rear cable tidy & bump down feet  | 4.22             |

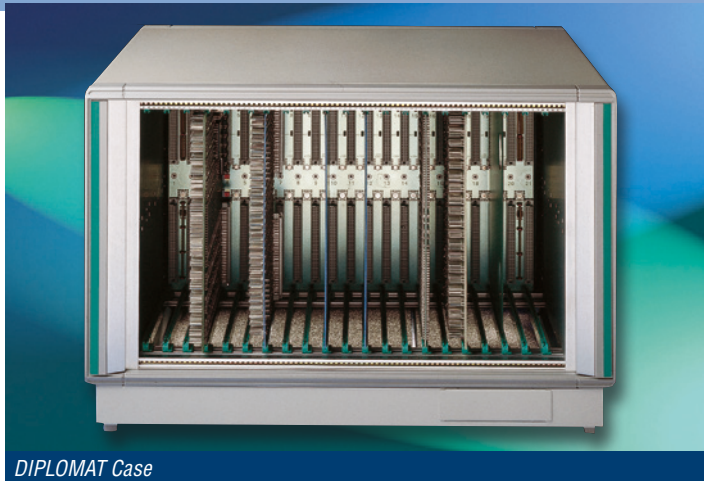
# DIPLOMAT Case Cooling

## NEW AND IMPROVED COOLING PERFORMANCE

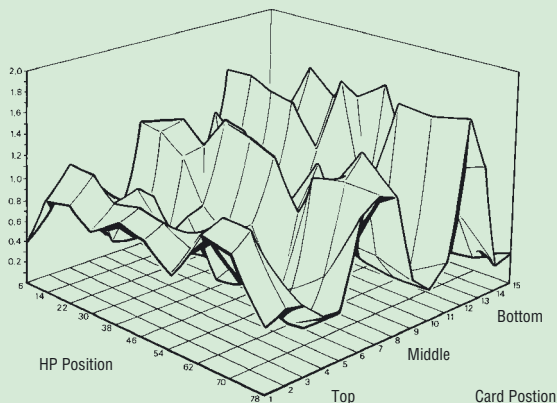
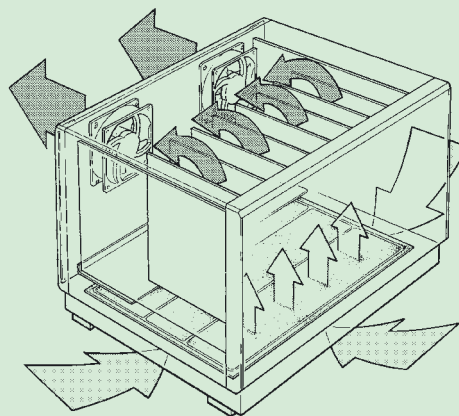
The DIPLOMAT range of enclosures has improved cooling performance in both the standard and fan plinth versions. The fan plinth version has a wider plinth with an increased ventilation surface area to increase the volume of air flow. The plinth can either act as a chamber for air collection when fans are mounted on the rear panel of the unit (pull through air flow) or can be used to mount fans directly hence employing a push method of cooling. Fans can be mounted in the plinth and on the rear panel employing a push-pull method of cooling.

Ducting plates can be placed in the plinth to give additional direction to the air flow, concentrating the flow towards hot cards or components. The level of cooling performance achieved will depend on a number of variables, such as the internal component architecture and hot component positioning. A test was set up where a 6U DIPLOMAT unit 19" wide was fitted with a populated card frame, 220mm boards to a 6U full width backplane, and air flow indicating componentry. Two 95CFM fans were mounted on the rear panel and a standard ducting plate used to direct the air across the cards, the results recorded are shown below.

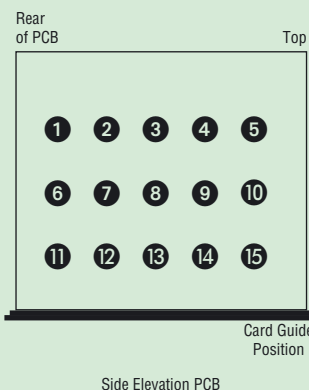
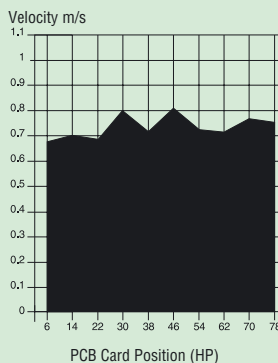
The results below were measurements of air velocity taken from the standard DIPLOMAT with new 38mm deep plinth with ducting plate, and 2 x 95 CFM fans mounted on the rear panel. The top panel was non ventilated.



DIPLOMAT Case



2 x 95CFM Rear Panel (New Style Plinth)



Side Elevation PCB



## DIPLOMAT SHIELDING EFFECTIVENESS RESULTS

The shielding effectiveness results shown have been measured in Verotec's EMC test facility using a generic test procedure adapted for smaller enclosures.

Isolated from ambient electromagnetic interference within a screened room, magnetic and electric field signals are radiated at discrete frequencies inside the enclosure under test. Field strengths at positions around the enclosure are compared with equivalent control measurements to determine the signal attenuation by the enclosure at each frequency.

Shielding effectiveness may vary around the enclosure.

## EMC PROTECTION

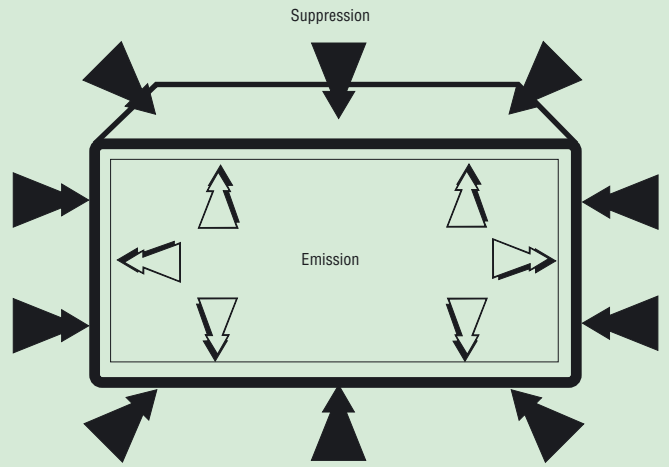
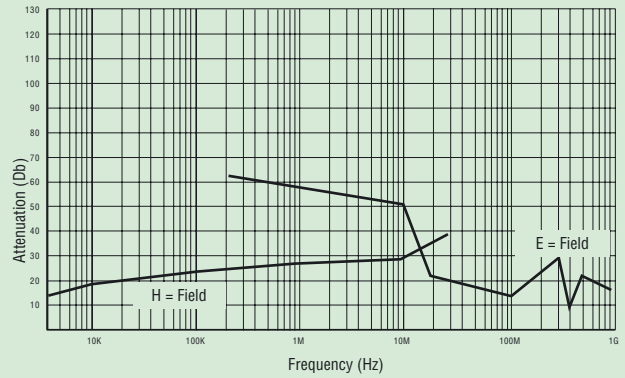
The graph shows typical attenuation figures achieved for a 3U 19" DIPLOMAT case, which has been fitted with standard front and rear panels. The performance achieved shows that in both the E and the H field the unit will provide fairly high levels of attenuation across a broad frequency band.

The DIPLOMAT range of enclosures have undergone a series of technical performance tests, conducted in accordance with MIL-STD 285, modified where necessary due to the nature of the enclosure. The results shown are worst case and units were not fitted with any additional metalwork. The performance of the units may be improved when internal chassis and EMC front panels are included.

## IP PROTECTION

The DIPLOMAT range was also tested for the ingress of dust using standard BSI probes. The unit passed a test which gives an IP rating of 30. The unit was not tested for the ingress of water.

## SHIELDING EFFECTIVENESS FOR 3U x 422 DIPLOMAT 19" CASE



|                            |                        |                         |
|----------------------------|------------------------|-------------------------|
| <b>IP</b>                  | <b>3</b>               | <b>0</b>                |
| <b>INDEX OF PROTECTION</b> | <b>DUST PROTECTION</b> | <b>WATER PROTECTION</b> |

|          |   |   |
|----------|---|---|
| <b>3</b> | Protection against small foreign bodies | Protection of persons from touching active or internal moving parts with tools, or similar, thicker than 2,5mm. Protection of the object from access of solid foreign matter larger than 2,5mm in diameter. |
| <b>0</b> | No protection                           | No special protection   |

# DIPLOMAT Cases: Overview and accessories index

## DIPLOMAT 19" AND 10½" CASES

DIPLOMAT 19" and 10½" cases are designed to provide stylish, robust, yet economical solutions for housing electronic systems in either a desktop or floor standing environment. Built-in (die cast) panel mounts front and rear house standard caged nuts that allow industry standard 19" equipment, panels or subracks (to IEC 297-1 and DIN 41494) to be securely mounted. The die-cast & extruded aluminium frame together with steel covers mean they are strong and lightweight, with inherent EMC and an IP rating of 30. A fan plinth option improves the cooling performance of this unit significantly, results of which are published on page 4.04 of this brochure.

### FEATURES

- 3U, 4U, 6U & 9U heights
- 10½" and 19" widths
- 322, 422, 522 & 622mm depths
- Supplied assembled
- Superb modern styling
- Robust metal construction
- Conforms to IEC 297-1 and DIN 41494
- Quick release top and bottom covers
- Horizontal, vertical tower and plinth versions available.
- Front trims conceal 19" fixings
- Very large range of standard ex-stock sizes
- Easy customisation
- Painted in modern colour combination of light and mid grey to BS4800-00A01 and BS4800-00A05

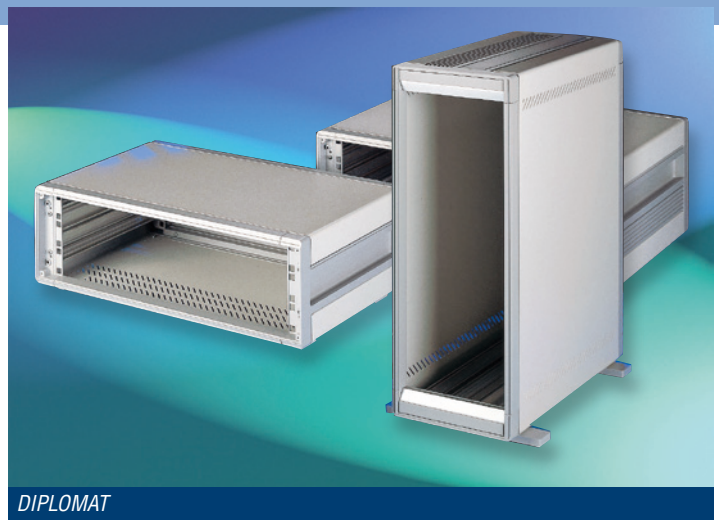
### ACCESSORIES

Accessories that are specific to the Diplomat case can be found in this section on pages 4.10 to 4.14 and include transparent doors, bezel trims, carry handles, earth kits, rear panels, feature front panels and rear cable tidy.

| Description               | Page |
|---------------------------|------|
| Transparent doors         | 4.10 |
| Heavy duty carry handles  | 4.10 |
| Feature front panels      | 4.11 |
| 19" and 10½" front panels | 4.11 |
| Front bezel trims         | 4.11 |
| Rear panels               | 4.12 |
| Fan accessories           | 4.12 |
| Cable tidy                | 4.12 |
| Bump down foot            | 4.13 |
| Rear bezel trims          | 4.13 |
| Earth continuity kit      | 4.14 |
| Chassis supports          | 4.14 |
| Chassis trays             | 4.14 |

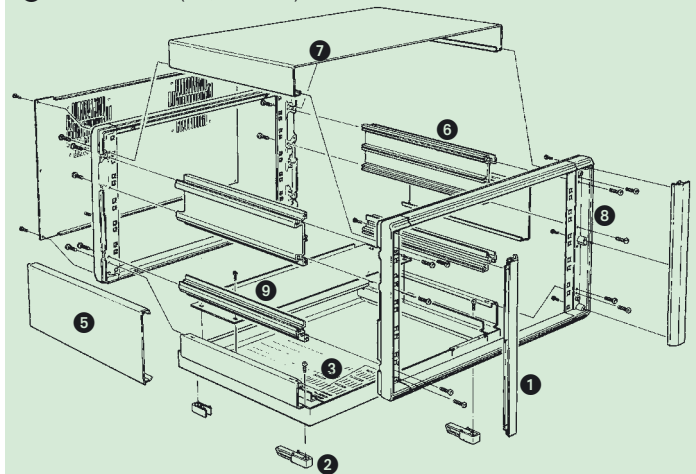
### WOULD YOU LIKE THEM ADDED TO THE BASIC UNIT?

We can add your accessories to the DIPLOMAT case and despatch as one unit. Please contact our sales office for details.

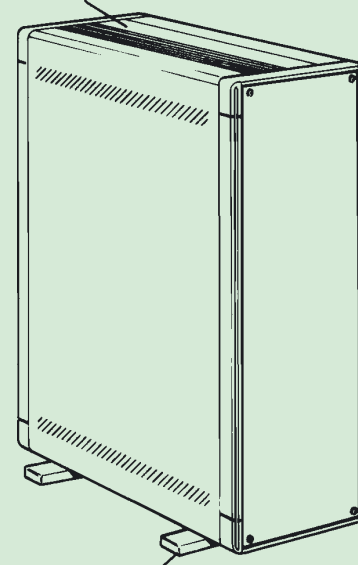


DIPLOMAT

- 1 Front trims (order as accessories)
- 2 Tilt up feet
- 3 Ventilation plinth
- 5 Side infill panel
- 6 Side handle extrusion
- 7 Top cover
- 8 Front/rear bezel assemblies
- 9 Side extrusion (4U, 6U & 9U)



Recess trim



Foot assembly



# DIPLOMAT Cases 3U and 4U horizontal versions

## HORIZONTAL CASES WITH OR WITHOUT PLINTH

The standard horizontal DIPLOMAT cases are available in four heights, two widths and four depths, and are supplied ready assembled.

### Contents of kit

| Description  | Qty | Material/Finish                    |
|--|-----|------------------------------------|
| Top cover  | 1   | 0.9mm Zintec coated steel          |
| Bottom cover (or plinth)                                   | 1   | 0.9mm Zintec coated steel          |
| Handle extrusion   | 2   | Aluminium alloy extrusion          |
| Side extrusions (4U only)                                  | 4   | Aluminium alloy extrusion          |
| Bezels   | 2   | Aluminium alloy castings           |
| Feet (2 tilting)   | 4   | ABS plastic                        |
| Finish   |     | Textured electrostatic epoxy paint |
| Colour: Top/bottom covers, plinths                         |     | Light grey BS4800-00A01            |
| Front and rear bezels, side handles and 4U side extrusions |     | Mid grey BS4800-00A05              |

## STANDARD 19" CASES – Supplied assembled

### Ordering information

| Height (mm)    | Width | Ext depth | Max int depth | Dimensions |        |    | Order code         |
|----------------|-------|-----------|---------------|------------|--------|----|--------------------|
|                |       |           |               | A          | B      | C  |                    |
| 3U<br>(161,85) | 19"   | 322       | 277           | 450        | 134,85 | 17 | <b>760-236562</b>  |
|                |       | 422       | 377           | 450        | 134,85 | 17 | <b>760-236563</b>  |
|                |       | 522       | 477           | 450        | 134,85 | 17 | <b>760-236564</b>  |
|                |       | 622       | 577           | 450        | 134,85 | 17 | <b>760-4003791</b> |
| 4U<br>(206,30) | 19"   | 322       | 277           | 450        | 179,30 | 17 | <b>760-236565</b>  |
|                |       | 422       | 377           | 450        | 179,30 | 17 | <b>760-236566</b>  |
|                |       | 522       | 477           | 450        | 179,30 | 17 | <b>760-236567</b>  |
|                |       | 622       | 577           | 450        | 179,30 | 17 | <b>760-4004820</b> |

## 19" VENTILATION PLINTH DIPLOMATS – Supplied assembled

(with air filtration built in as standard)

### Ordering information

| Height (mm)    | Width | Ext depth | Max int depth | Dimensions |        |      |       |     | Order code         |
|----------------|-------|-----------|---------------|------------|--------|------|-------|-----|--------------------|
|                |       |           |               | A          | B      | C    | D     | E   |                    |
| 3U<br>(161,85) | 19"   | 322       | 277           | 450        | 134,85 | 39,5 | 506,4 | 287 | <b>760-236579</b>  |
|                |       | 422       | 377           | 450        | 134,85 | 39,5 | 506,4 | 387 | <b>760-236580</b>  |
|                |       | 522       | 477           | 450        | 134,85 | 39,5 | 506,4 | 487 | <b>760-236581</b>  |
|                |       | 622       | 577           | 450        | 134,85 | 39,5 | 506,4 | 587 | <b>760-4004821</b> |
| 4U<br>(206,30) | 19"   | 322       | 277           | 450        | 179,30 | 39,5 | 506,4 | 287 | <b>760-236582</b>  |
|                |       | 422       | 377           | 450        | 179,30 | 39,5 | 506,4 | 387 | <b>760-236583</b>  |
|                |       | 522       | 477           | 450        | 179,30 | 39,5 | 506,4 | 487 | <b>760-236584</b>  |
|                |       | 622       | 577           | 450        | 179,30 | 39,5 | 506,4 | 587 | <b>760-4004822</b> |

## 10½" HALF WIDTH CASES

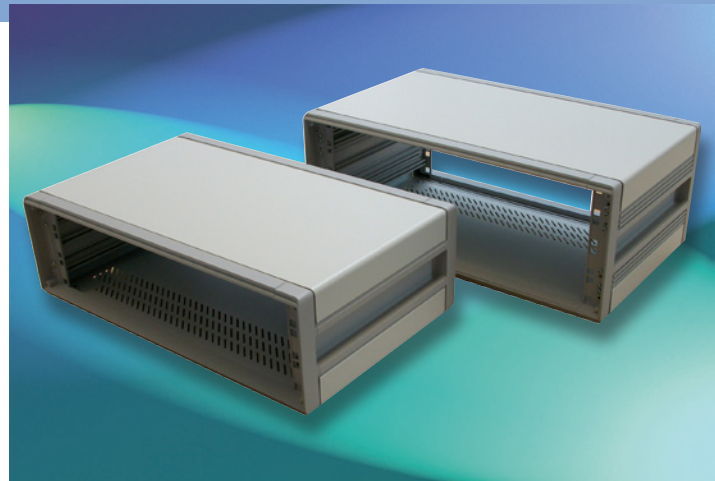
### Ordering information

| Height (mm)    | Width | Ext depth | Max int depth | Dimensions |        |    | Order code        |
|----------------|-------|-----------|---------------|------------|--------|----|-------------------|
|                |       |           |               | A          | B      | C  |                   |
| 3U<br>(161,85) | 10.5" | 322       | 277           | 234        | 134,85 | 17 | <b>760-236575</b> |
|                |       | 422       | 377           | 234        | 134,85 | 17 | <b>760-236576</b> |
| 4U<br>(206,30) | 10.5" | 322       | 277           | 234        | 179,30 | 17 | <b>760-236577</b> |
|                |       | 422       | 377           | 234        | 179,30 | 17 | <b>760-236578</b> |

## 10½" HALF WIDTH VENTILATION PLINTH CASES – Supplied assembled

### Ordering information

| Height | Width | Ext. depth | Max. int. depth | A   | B      | C    | Order code         |
|--------|-------|------------|-----------------|-----|--------|------|--------------------|
|        |       |            |                 |     |        |      |                    |
|        |       | 422        | 377             | 234 | 134,85 | 39,5 | <b>760-4004826</b> |

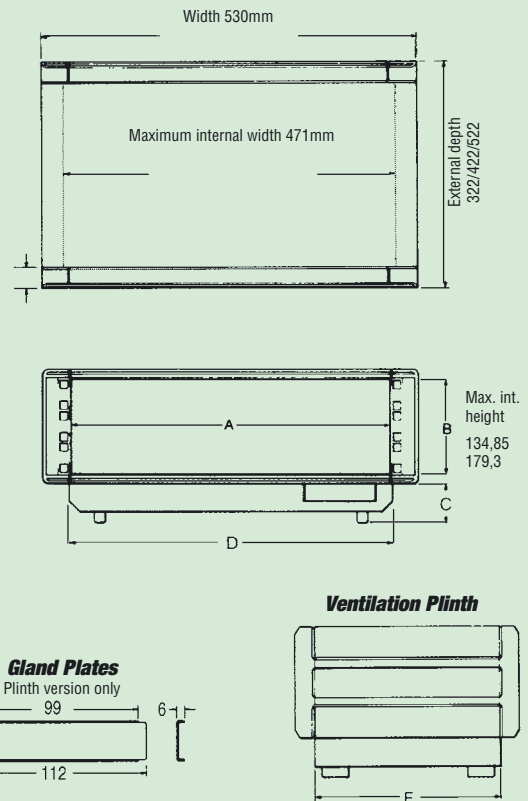


DIPLOMAT 19" Cases 3U and 4U horizontal versions



DIPLOMAT 10½" (half width) and plinth versions

### 3U and 4U Horizontal Versions Ventilation plinth and gland plates



# DIPLOMAT Cases 3U and 4U vertical versions

The vertical DIPLOMAT cases offer a stylish packaging solution for office based computer systems located either on or under the operators desk. For desk cases rubber inserts are provided to prevent the unit slipping on the desk surface.

## Contents of kit

| Description              | Qty  | Material/Finish                 |
|--------------------------|--|---------------------------------|
| Handle                   | 1  | Aluminium alloy extrusion       |
| Vertical feet assemblies | 2  | ABS plastic/aluminium extrusion |
| Ventilated side covers   | 2  | 9mm Zintec coated steel         |
| Handle extrusions        | 2  | Aluminium alloy extrusion       |
| Side extrusions (4U)     | 4  | Aluminium alloy extrusion       |
| Handle infill            | 10   | 9mm Zintec coated steel         |
| Bezels                   | 2  | Aluminium alloy castings        |
| Finish                   | Textured electrostatic epoxy paint                                   |                                 |
| Colour:                  | Side covers  | Light grey BS4800-00A01         |
|                          | Front and rear bezels, side handles and extrusions, infills and feet | Mid grey BS4800-00A05           |

## Order separately

| Description   | Page |
|---|------|
| Transparent doors and heavy duty carry handle             | 4.10 |
| Front panels and front bezel trims                        | 4.11 |
| Rear panels, cable tidy and fan accessories               | 4.12 |
| Rear bump down feet and rear bezel trims                  | 4.13 |
| Earth continuity kits, chassis supports and chassis trays | 4.14 |

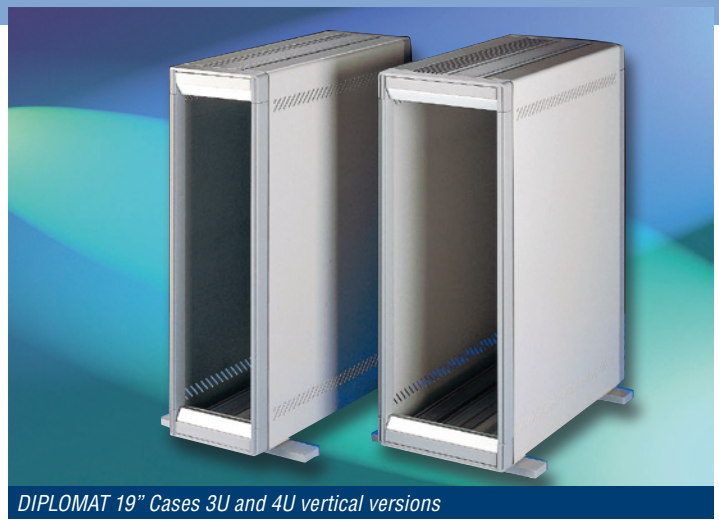
## VERTICAL 19" CASES – Supplied assembled

### Ordering information

| Height (mm) | Width depth | Dimensions |         |     |        | Order code |
|-------------|-------------|------------|---------|-----|--------|------------|
|             |             | Ext depth  | Max int | A   | B      |            |
| 3U (161,85) | 19"         | 422        | 377     | 450 | 134,85 | 760-236635 |
|             |             | 522        | 477     | 450 | 134,85 | 760-236636 |
| 4U (206,30) | 19"         | 422        | 377     | 450 | 179,30 | 760-236637 |
|             |             | 522        | 477     | 450 | 179,30 | 760-236638 |

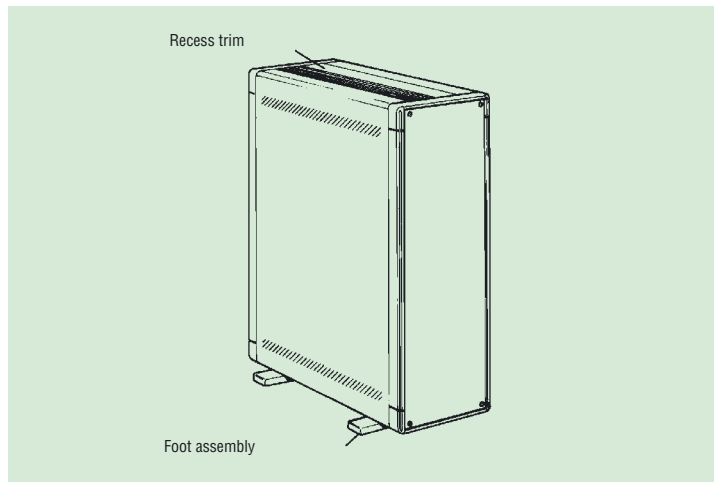
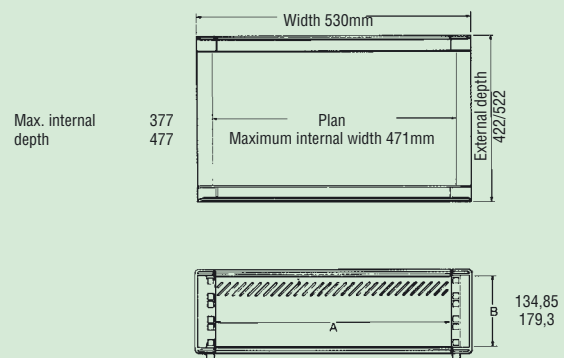
## HORIZONTAL TO VERTICAL DIPLOMAT CONVERSION

3U and 4U horizontal diplomats (as shown on page 4.07) can easily be converted into vertical version with the addition of a foot kit. Please refer to page 4.13 in the accessories section for full details.



DIPLOMAT 19" Cases 3U and 4U vertical versions

## 3U and 4U Vertical Cases





# DIPLOMAT Cases 6U and 9U horizontal versions

6U and 9U horizontal cases are available in either standard or plinth versions. Typical cooling performance characteristics for a loaded case can be found on page 4, which also demonstrates the likely air flow path in this scenario.

## Contents of kit

| Description   | Qty | Material/Finish                    |
|---|-----|------------------------------------|
| Top cover   | 1   | 0.9mm Zintec coated steel          |
| Bottom cover (or plinth)                                | 1   | 0.9mm Zintec coated steel          |
| Handle extrusions                                       | 2   | Aluminium alloy extrusion          |
| Side extrusions   | 2   | Aluminium alloy extrusion          |
| Bezels  | 2   | Aluminium alloy casting            |
| Side infills  | 2   | 0.9mm Zintec covers, coated steel  |
| Feet (2 tilting)  | 4   | ABS Plastic                        |
| Finish  |     | Textured electrostatic epoxy paint |
| Colour: Top/bottom covers, plinths and side infills     |     | Light grey BS4800-00A01            |
| Front and rear bezels, side handles and side extrusions |     | Mid grey BS4800-00A05              |

## STANDARD 10.5" HALF WIDTH CASES – Supplied assembled

### Ordering information

| Height | Width | Ext. depth | Max. int. depth | A   | B     | C  | Order code         |
|--------|-------|------------|-----------------|-----|-------|----|--------------------|
| 6U     | 10.5" | 322        | 277             | 234 | 268.2 | 17 | <b>760-4004823</b> |
|        |       | 422        | 377             | 234 | 268.2 | 17 | <b>760-4004824</b> |

## STANDARD 19" DIPLOMAT CASES – Supplied assembled

### Ordering information

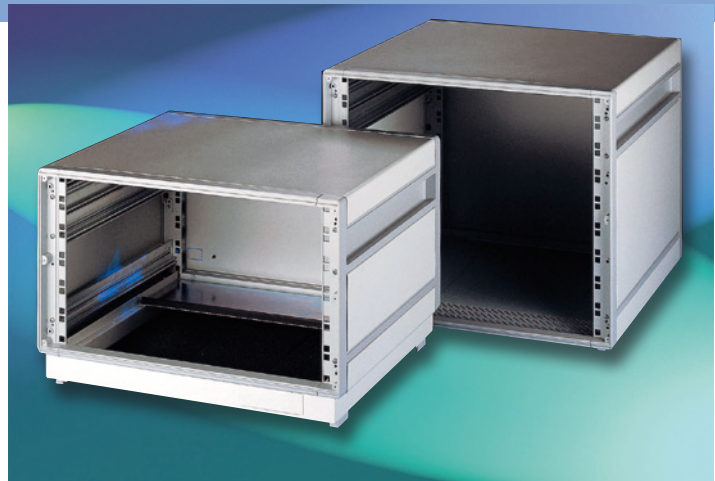
| Height | Width | Ext depth | Max int depth | Dimensions |        |    | Order code        |
|--------|-------|-----------|---------------|------------|--------|----|-------------------|
|        |       |           |               | A          | B      | C  |                   |
| 6U     | 19"   | 322       | 277           | 450        | 268,20 | 17 | <b>760-236568</b> |
|        |       | 422       | 377           | 450        | 268,20 | 17 | <b>760-236569</b> |
|        |       | 522       | 477           | 450        | 268,20 | 17 | <b>760-236570</b> |
|        |       | 622       | 577           | 450        | 268,20 | 17 | <b>760-236573</b> |
| 9U     | 19"   | 422       | 377           | 450        | 401,55 | 17 | <b>760-236571</b> |
|        |       | 522       | 477           | 450        | 401,55 | 17 | <b>760-236572</b> |
|        |       | 622       | 577           | 450        | 401,55 | 17 | <b>760-236574</b> |

## 19" VENTILATION PLINTH DIPLOMATS – Supplied assembled

(with air filtration built in as standard)

### Ordering information

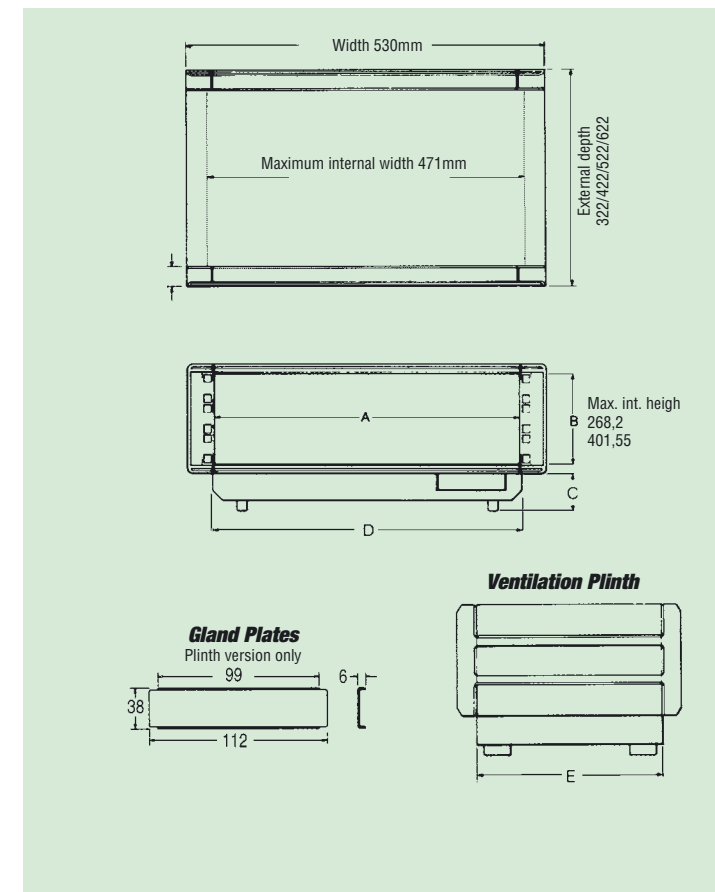
| Height (mm)    | Width | Ext depth | Max int depth | Dimensions |        |      |       |     | Order code        |
|----------------|-------|-----------|---------------|------------|--------|------|-------|-----|-------------------|
|                |       |           |               | A          | B      | C    | D     | E   |                   |
| 6U<br>(295,20) | 19"   | 322       | 277           | 450        | 268,20 | 39.5 | 506.4 | 308 | <b>760-236585</b> |
|                |       | 422       | 377           | 450        | 268,20 | 39.5 | 506.4 | 408 | <b>760-236586</b> |
|                |       | 522       | 477           | 450        | 268,20 | 39.5 | 506.4 | 508 | <b>760-236587</b> |
|                |       | 622       | 577           | 450        | 268,20 | 39.5 | 506.4 | 608 | <b>760-236590</b> |
| 9U<br>(428,55) | 19"   | 422       | 377           | 450        | 401,55 | 39.5 | 506.4 | 408 | <b>760-236588</b> |
|                |       | 522       | 477           | 450        | 401,55 | 39.5 | 506.4 | 508 | <b>760-236589</b> |
|                |       | 622       | 577           | 450        | 401,55 | 39.5 | 506.4 | 608 | <b>760-236591</b> |



DIPLOMAT 19" Cases 6U and 9U horizontal versions



DIPLOMAT 6U, 10½" (half width) versions



## TRANSPARENT DOORS

Manufactured from strong yet lightweight materials this new transparent door design offers not only security but styling to the DIPLOMAT 19" enclosure.

All doors are lockable and allow sufficient space inside to mount components on front panels without causing interference. All doors are supplied with an integral colour highlight strip.

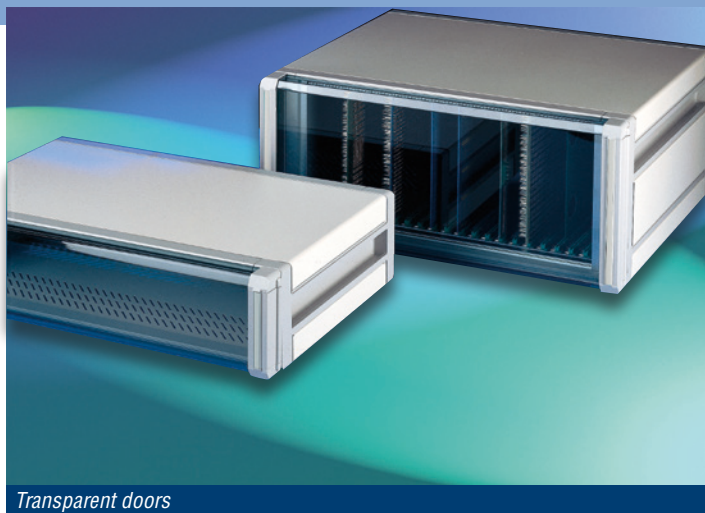
Flammability rating - BS476 class 3/UL94-HB

### Contents of kit

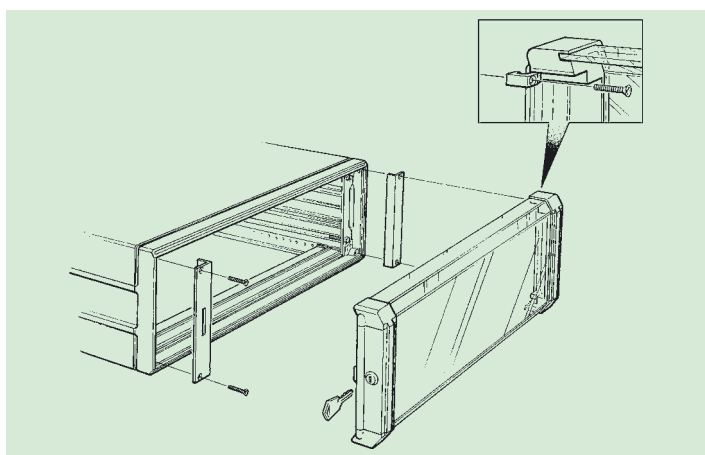
| Description    | Qty. | Material/Finish  |
|----------------|------|--|
| Door assembly  | 1    | 3mm Acrylic panel (tint 901) with mid grey ABS corner mouldings (BS4800-00A05) |
| Highlight trim | 2    | PVC, colour Grey   |
| Lock trim      | 1    | Aluminium extrusion, satin anodised  |
| Plain trim     | 1    | Aluminium extrusion, satin anodised  |
| Set of keys    | 1    |  |
| Set of fixings | 1    |  |

### Ordering information

| Height | Width | Description      | Order code  |
|--------|-------|------------------|-------------|
| 3U     | 10½"  | Horizontal hinge | 760-236832  |
| 4U     | 10½"  | Horizontal hinge | 760-236833  |
| 3U     | 19"   | Horizontal hinge | 760-236827  |
|        |       | Vertical hinge   | 760-240994  |
| 4U     | 19"   | Horizontal hinge | 760-236828  |
|        |       | Vertical hinge   | 760-240995  |
| 6U     | 19"   | Vertical hinge   | 760-236829  |
| 6U     | 19"   | Horizontal hinge | 760-4003788 |
| 9U     | 19"   | Vertical hinge   | 760-236831  |



Transparent doors



## HEAVY DUTY CARRY HANDLE – 3U AND 4U CASES ONLY

This heavy duty handle is designed to visually coordinate with the DIPLOMAT cases. It is suitable for 3U and 4U cases and will accept loads of up to 300N. The handle has a press button mechanism which locks in increments of 30°. This allows the cases to be easily carried or tilted on a work surface.

A template is supplied with the kit for easy drilling and to assist location in the side extrusions.

### Contents of kit

| Description                      | Qty. | Material/finish                   |
|----------------------------------|------|-----------------------------------|
| Side arms and location mouldings | 2    | Polycarbonate, mid grey           |
| Cross bar                        | 1    | Alu. alloy etch and clear anodise |
| Fixing screws                    |      |                                   |

### Ordering information

| Description            | Order code |
|------------------------|------------|
| Case Carry Handle 10½" | 60-202675  |
| Case Carry Handle 19"  | 60-202673  |



Heavy duty carry handle



## FEATURE FRONT PANELS

Available in addition to the range of standard 19" front panels, these are unique to the DIPLOMAT case. Manufactured in 3mm etched and anodised aluminium with a high quality surface finish they provide a clean and very attractive frontal appearance. They may be used both on the front and rear of the case and are fitted into the bezel in place of the trims, and in front of the 19" fixing facilities.

### Ordering information

| Case Size |       | Panel dimensions |       | Order code      |
|-----------|-------|------------------|-------|-----------------|
| Height    | Width | Height           | Width |                 |
| 3U        | 10½"  | 138,5            | 304   | <b>60-39272</b> |
|           | 19"   | 138,5            | 520   | <b>60-39268</b> |
| 4U        | 10½"  | 183              | 304   | <b>60-39273</b> |
|           | 19"   | 183              | 520   | <b>60-39269</b> |
| 6U        | 19"   | 272              | 520   | <b>60-39270</b> |

## 10½" AND 19" FRONT PANELS

Standard 19" (IEC 297-1, DIN 41494 pt1) front panels are available in satin anodised aluminium of 3mm thickness.

### Ordering information

| Height | Width |           | Order code      |
|--------|-------|-----------|-----------------|
| 1U     | 19"   | (482mm)   | <b>50-0767</b>  |
| 2U     | 10½"  | (266,7mm) | <b>50-0763</b>  |
|        | 19"   | (482mm)   | <b>50-0768</b>  |
| 3U     | 10½"  | (266,7mm) | <b>50-0764</b>  |
|        | 19"   | (482mm)   | <b>50-0769</b>  |
| 4U     | 10½"  | (266,7mm) | <b>50-0765</b>  |
|        | 19"   | (482mm)   | <b>50-0770</b>  |
| 6U     | 19"   | (482mm)   | <b>50-0772</b>  |
| 9U     | 19"   | (482mm)   | <b>50-24284</b> |

## FRONT BEZEL TRIMS

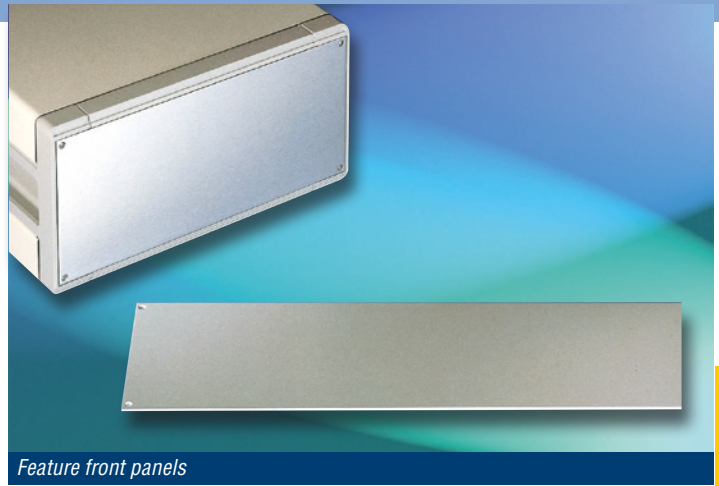
These provide an attractive finish to the DIPLOMAT cases when the equipment has been installed. They are available in two versions; single part and two part, where the latter includes a second interlocking piece to cover the 19" fixing screws of the equipment.

The two part trims come in plain and highlighted versions. The plain versions are mounted from the rear of the bezel, providing a clean fronted appearance and offering additional security. The highlighted versions are mounted from the front of the unit for easy access and silkscreened pantone green.

Single part trims are available in plain form only to provide a clean frontal appearance whilst maintaining access to the 19" fixings.

### Ordering information

| Height | Description       | Order code         |
|--------|-------------------|--------------------|
| 3U     | Plain single part | <b>760-4004830</b> |
|        | Plain two part    | <b>760-236865</b>  |
| 4U     | Plain single part | <b>760-4004831</b> |
|        | Plain two part    | <b>760-236866</b>  |
| 6U     | Plain single part | <b>760-4004832</b> |
|        | Plain two part    | <b>760-236867</b>  |
| 9U     | Plain single part | <b>760-4004833</b> |
|        | Plain two part    | <b>760-236868</b>  |



Feature front panels



19" front panels



Front bezel trims

## 10½" AND 19" REAR PANELS

These steel rear panels are available in two versions – standard ventilated or fan ventilated – and two widths to suit 10½" and 19" DIPLOMAT Cases. The top and bottom covers of the enclosure can be quickly removed without the need to remove any panels. This is achieved by the provision of holes in the rear panel to permit easy access to the cover securing screws.

The standard ventilated versions are supplied pre-punched with obround holes across the full width of the rear panel, providing a safe passage of air through the case.

The fan ventilated versions are supplied with pre-punched vent areas with the relevant fixing holes to mount 120mm square fans. These panels are particularly suited to applications requiring forced cooling to aid air throughput.

### CONTENTS OF KIT

| Description   | Qty. | Material/finish                            |
|---------------|------|--|
| Rear panel    | 1    | 0,9mm steel, painted mid gray BS4800-00A05 |
| Hole plugs    | 4    | Natural nylon                              |
| Fixing screws |      |  |

### ORDERING INFORMATION

#### Description: Standard ventilated panels

| Height | Width | Order code |
|--------|-------|------------|
| 3U     | 10½"  | 760-236628 |
|        | 19"   | 760-236623 |
| 4U     | 10½"  | 760-236629 |
|        | 19"   | 760-236624 |
| 6U     | 19"   | 760-236625 |
| 9U     | 19"   | 760-236627 |

#### Description: Fan ventilated panels

| Height | Width | Fan positions | Order code |
|--------|-------|---------------|------------|
| 3U     | 10½"  | 1             | 760-236876 |
|        | 19"   | 1             | 760-236872 |
| 4U     | 10½"  | 1             | 760-236877 |
|        | 19"   | 2             | 760-236873 |
| 6U     | 19"   | 2             | 760-236874 |
| 9U     | 19"   | 3             | 760-236875 |

## FAN PANEL ACCESSORIES – 10½" AND 19" CASE COMPATIBLE

### ORDERING INFORMATION

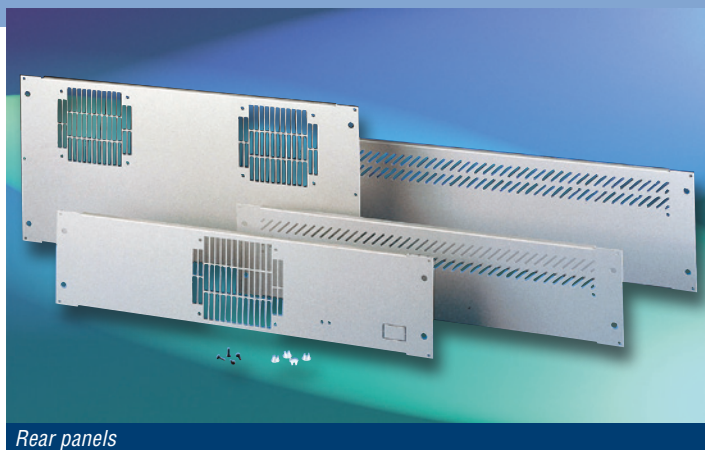
| Description            | Order code |
|------------------------|------------|
| 120mm 220V AC 50Hz fan | 28-238116  |
| 120mm Finger guard     | 28-202490  |
| Fan fixing kit         | 28-43872   |
| Fan connection lead    | 28-241569  |

## REAR CABLE TIDY – 10½" AND 19" CASE COMPATIBLE

The rear cable tidy allows power cables to be conveniently and tidily stored. It is supplied as a kit of two mouldings which are attached directly to the pre-punched rear panels (both types).

### ORDERING INFORMATION

| Description         | Order code |
|---------------------|------------|
| Rear cable tidy kit | 517-203357 |



Rear panels



Fan panel accessories



Rear cable tidy



## REAR BUMP DOWN FEET – 3U CASES ONLY

This useful bump down foot accessory allows portable instruments to be placed safely on rugged surfaces without causing damage to the unit itself.

The foot assembly also acts as a cable wrap to conveniently store power cables. Access to the DIPLOMAT interior can be gained via securing screws in the foot moulding, which when unscrewed, will release the top and base covers.

These are suitable for 3U units only.

### CONTENTS OF KIT

| Description      | Qty.    | Material/Finish                      |
|------------------|---------|--------------------------------------|
| Set of mouldings | 2 pairs | Polycarbonate, mid grey BS4800-00A05 |
| Support brackets | 2       | 2mm steel, mid grey BS4800-00A05     |
| Rubber inserts   | 4       | Rubber, black                        |
| Fixing screws    | 4       |                                      |

### ORDERING INFORMATION

| Description    | Order code |
|----------------|------------|
| Bump down feet | 760-238388 |



Rear bump down feet

## REAR BEZEL TRIMS – 10½" AND 19" CASE COMPATIBLE

These can be used to hide the case fixing screws when the DIPLOMAT rear panel is not used.

Similar in design to the front trims, but attached from the outside, they allow easy access without having to remove the covers.

These trims may also be used as an alternative to the front trims where access is required. Supplied as a pair of trims.

### Contents of kit

| Description      | Qty.   | Material/Finish                                 |
|------------------|--------|---|
| Rear bezel trims | 1 pair | Aluminium alloy extrusion mid grey BS4800-00A05 |
| Fixing screws    |        |   |

### Ordering information

| Case height | Order code |
|-------------|------------|
| 3U          | 60-54745   |
| 4U          | 60-54746   |
| 6U          | 60-54747   |
| 9U          | 60-54748   |



Rear bezel trims

## 3U & 4U VERTICAL FOOT KIT

3U and 4U horizontal diplomats can be converted to vertical versions with the addition of a foot kit. Available in 4 sizes, they comprise an infill strip which locates in the top handle recess along with 2 bracket / foot assemblies. Note that the bottom handle recess needs to be suitably drilled to fix the bracket.

### CONTENTS OF KIT

| Description               | Qty | Material / Finish                    |
|---------------------------|-----|--------------------------------------|
| Handle recess infill      | 1   | Steel, mid grey BS4800-00A05         |
| Foot mounting bracket     | 2   | Steel, mid grey BS4800-00A05         |
| Foot                      | 2   | Steel, mid grey BS4800-00A05         |
| Foot end cap              | 4   | Polycarbonate, mid grey BS4800-00A05 |
| Self-adhesive bumper stop | 4   | Rubber, black                        |

### ORDERING INFORMATION

| Description       | Ordercode |
|-------------------|-----------|
| 3U x 422 foot kit | 60-400516 |
| 3U x 522 foot kit | 60-400517 |
| 4U x 422 foot kit | 60-400518 |
| 4U x 522 foot kit | 60-400519 |



Diplomat vertical foot kit



## EARTH CONTINUITY KIT – 10½” OR 19” CASE COMPATIBLE

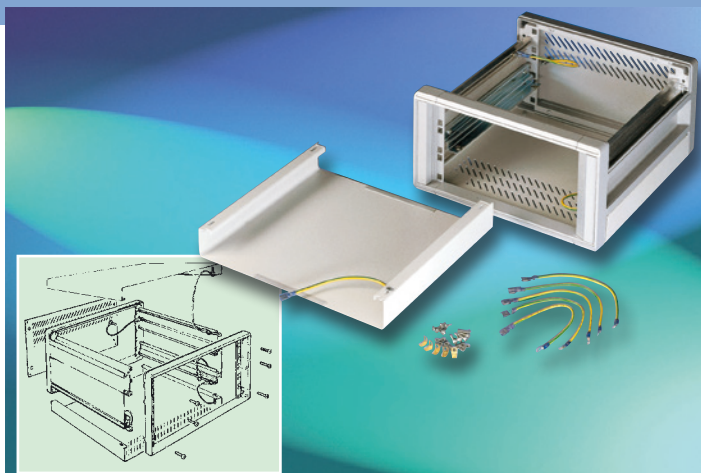
The earth continuity kit provides all the cables and fixings required to give complete earth continuity throughout the case. This single kit is suitable for all sizes of DIPLOMAT.

### CONTENTS OF KIT

| Description             | Qty |                      |    |
|-------------------------|-----|----------------------|----|
| Earthing leads          | 5   | M4 Pan head screw    | 5  |
| Bolt-on spade connector | 5   | M4 Hex nut (thin)    | 10 |
| Earth bonding screw     | 5   | Instructions leaflet | 1  |

### ORDERING INFORMATION

| Description                   | Order code      |
|-------------------------------|-----------------|
| DIPLOMAT earth continuity kit | <b>60-54598</b> |



Earth continuity kit

## CHASSIS SUPPORT KIT – 10½” OR 19” CASE COMPATIBLE

Chassis supports are available to provide additional support for 19” chassis or cardframes within the enclosures. These are assembled to the T slots in the side extrusions. Each kit comprises two runners and all necessary fixings.

### CONTENTS OF KIT

| Description      | Qty. | Material/finish               |
|------------------|------|-------------------------------|
| Chassis supports | 2    | 1,2mm steel clear zinc plated |
| Fixing screws    |      |                               |

### ORDERING INFORMATION

Description: Chassis support

| Case Size   | Dimensions |       |     |     | Order code      |
|-------------|------------|-------|-----|-----|-----------------|
|             | Width      | Depth | A   | B   |                 |
| 19” or 10½” | 322        | 467   | 451 | 256 | <b>60-43796</b> |
|             | 422        | 467   | 451 | 356 | <b>60-43797</b> |
|             | 522        | 467   | 451 | 456 | <b>60-43798</b> |
|             | 622        | 467   | 451 | 556 | <b>60-43799</b> |



Chassis support & chassis tray

## CHASSIS TRAY KIT – 19” CASES ONLY

A range of chassis trays are available which, when attached to the chassis support, provide a complete chassis assembly for mounting processor boards or other components.

A matrix of slots is provided in each tray so that it does not restrict airflow within the unit. This is especially important when used in a DIPLOMAT case with a ventilation plinth.

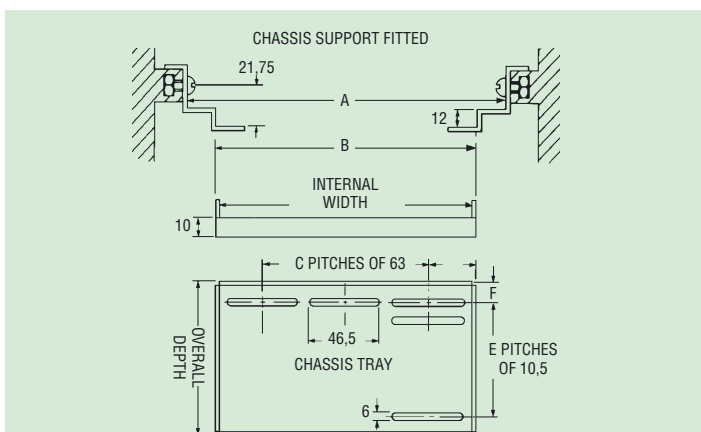
### CONTENTS OF KIT

| Description   | Qty. | Material/finish               |
|---------------|------|-------------------------------|
| Chassis tray  | 1    | 1,2mm steel clear zinc plated |
| Fixing screws |      |                               |

### ORDERING INFORMATION

Description: Chassis tray

| Case Size | Dimensions |       |                      |   |    |    | Order code |                 |
|-----------|------------|-------|----------------------|---|----|----|------------|-----------------|
|           | Width      | Depth | Available int. width | C | D  | E  |            | F               |
| 19”       | 322        | 448   | 448                  | 5 | 67 | 21 | 18         | <b>60-43802</b> |
|           | 422        | 448   | 448                  | 5 | 67 | 30 | 21         | <b>60-43803</b> |
|           | 522        | 448   | 448                  | 5 | 67 | 40 | 18         | <b>60-43804</b> |
|           | 622        | 448   | 448                  | 5 | 67 | 50 | 21         | <b>60-43805</b> |



| Diplomat Height | Chassis Support Positions |
|-----------------|---------------------------|
| 3U              | 1U, 2U & 3U               |
| 4U              | 0.5U, 1U, 2U, 3U & 3.5U   |
| 6U              | 1U, 4U, 5U & 6U           |
| 9U              | 1U, 7U, 8U & 9U           |

## DIPLOMAT CASEFRAMES

DIPLOMAT 3U & 6U caseframes are designed to provide stylish, robust, yet economical solutions for housing electronic systems in either a desktop or floor standing environment. Built-in horizontal tiebars house M2.5mm tapped strips & guides that facilitate the mounting of Eurocard PCBs, front panels or modules to IEC 297-3 and DIN 41494. The die-cast & extruded aluminium frame together with steel covers mean they are strong and lightweight, with inherent EMC and an IP rating of 30. A fan plinth option improves the cooling performance of this unit significantly, results of which are published on page 4.04 of this brochure.

## FEATURES

- 3U & 6U heights
- 42, 60 & 84HP widths
- 324, 444 & 564mm depths
- EMC conversion
- Superb modern styling
- Robust yet lightweight construction
- Conforms to IEC 297-3, DIN 41494 pt5 and BS 5954, fully compatible with KM6-II subrack system
- Supplied assembled
- Quick release top and bottom covers
- Large range of ex-stock sizes and large range of accessories
- Easy to customise
- Available with fan cooling plinths
- Finished in colour combination of light and mid grey

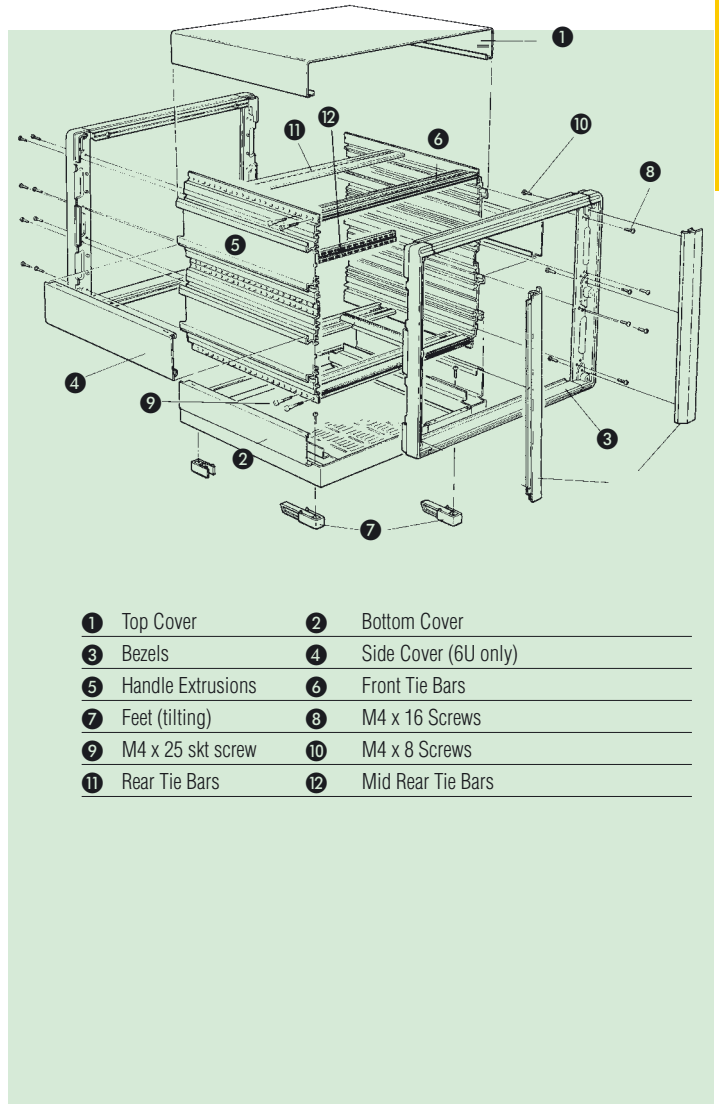
## ACCESSORIES

Accessories that are specific to the Diplomat caseframe can be found in this section on pages 4.19 to 4.22 and include transparent doors, bezel trims, carry handles, earth kits, rear panels, feature front panels and rear cable tidy. The Diplomat caseframe accepts the direct mounting of eurocards and has therefore been designed to be fully compatible with the KM6-II subrack system. Accessories from this range can be found in sections 1 and 2 (refer to page 1.23 and 2.03) and include tiebars, card guides, front panels, modules, divider kits, DIN connector adaptors and more.

| Description                | Page |
|----------------------------|------|
| Transparent front doors    | 4.19 |
| Feature front panels       | 4.19 |
| Front and rear bezel trims | 4.20 |
| Heavy duty carry handles   | 4.20 |
| Earth continuity kits      | 4.20 |
| Steel rear panels          | 4.21 |
| Fan panel accessories      | 4.22 |
| Rear cable tidy            | 4.22 |
| Rear bump down feet        | 4.22 |



DIPLOMAT caseframes



- |                     |                        |
|---------------------|------------------------|
| 1 Top Cover         | 2 Bottom Cover         |
| 3 Bezels            | 4 Side Cover (6U only) |
| 5 Handle Extrusions | 6 Front Tie Bars       |
| 7 Feet (tilting)    | 8 M4 x 16 Screws       |
| 9 M4 x 25 skt screw | 10 M4 x 8 Screws       |
| 11 Rear Tie Bars    | 12 Mid Rear Tie Bars   |

# DIPLOMAT Caseframes 3U and 6U horizontal versions

Horizontal DIPLOMAT Caseframes are available in standard, basic and fan plinth versions.

The standard version includes front and rear tie bars, tapped strips and all relevant fixing screws. The basic version does not contain any tie bars and consists of top and bottom covers, bezels, side extrusions, feet and fixings.

## STANDARD CASES – supplied assembled

### CONTENTS OF KIT

| Description                       | Qty                    | Material/Finish                   |
|-----------------------------------|------------------------|-----------------------------------|
| Top cover                         | 1                      | 0.9mm Zintec covers, coated steel |
| Bottom cover                      | 1                      | 0.9mm Zintec covers, coated steel |
| Bezels                            | 2                      | Aluminium alloy                   |
| Handle extrusions                 | 2 with 3U<br>4 with 6U | Aluminium alloy                   |
| Side infill covers (6U only)      | 2                      | 0.9mm Zintec covers, coated steel |
| Feet (2 tilting)                  | 4                      | ABS plastic                       |
| <b>Exclude for basic versions</b> |                        |                                   |
| Rear tie bars (3U)                | 2                      | Aluminium alloy                   |
| Rear tie bars (6U)                | 3                      | Aluminium alloy                   |
| KM6-II front tie bars             | 2                      | Aluminium alloy                   |
| Tapped strips                     | 4 – 6                  | Mild steel zinc and passivate     |
| Screw kit                         |                        |                                   |

Note: Rear panels and front trims should be ordered separately.

## DIPLOMAT CASEFRAMES – STANDARD CASES

### ORDERING INFORMATION

| Height      | External |       | Internal    |       |       | Order code        |
|-------------|----------|-------|-------------|-------|-------|-------------------|
|             | Width    | Depth | Height      | Width | Depth |                   |
| 3U (160,35) | 42 HP    | 324   | 3U (133,35) | 42 HP | 279   | <b>717-236546</b> |
|             | 60 HP    | 324   | 3U (133,35) | 60 HP | 279   | <b>717-236547</b> |
|             | 84 HP    | 324   | 3U (133,35) | 84 HP | 279   | <b>717-236548</b> |
|             | 84 HP    | 444   | 3U (133,35) | 84 HP | 399   | <b>717-236549</b> |
| 6U (293,70) | 60 HP    | 324   | 6U (266,70) | 60 HP | 279   | <b>717-236550</b> |
|             | 84 HP    | 324   | 6U (266,70) | 84 HP | 279   | <b>717-236552</b> |
|             | 84 HP    | 444   | 6U (266,70) | 84 HP | 399   | <b>717-236553</b> |

## DIPLOMAT CASEFRAMES – BASIC CASES (excludes front and rear tie bars)

### ORDERING INFORMATION

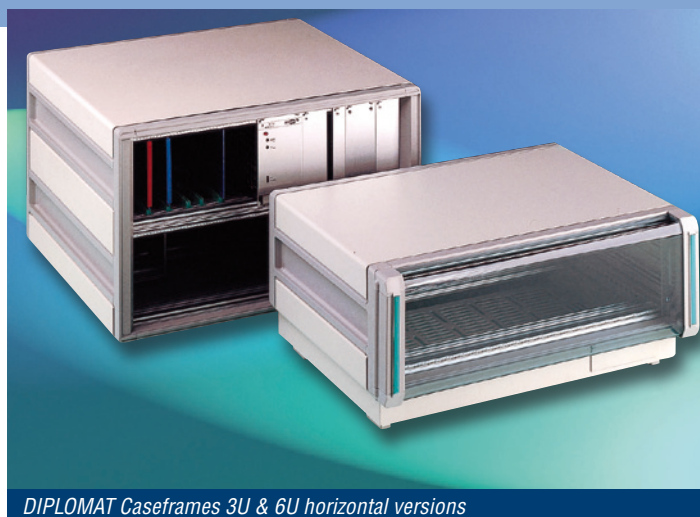
| Height      | External |       | Internal    |       |       | Order code        |
|-------------|----------|-------|-------------|-------|-------|-------------------|
|             | Width    | Depth | Height      | Width | Depth |                   |
| 3U (160,35) | 42 HP    | 324   | 3U (133,35) | 42 HP | 279   | <b>717-238220</b> |
|             | 60 HP    | 324   | 3U (133,35) | 60 HP | 279   | <b>717-238221</b> |
|             | 84 HP    | 324   | 3U (133,35) | 84 HP | 279   | <b>717-238222</b> |
|             | 84 HP    | 444   | 3U (133,35) | 84 HP | 399   | <b>717-238223</b> |
| 6U (293,70) | 84 HP    | 444   | 6U (266,70) | 84 HP | 399   | <b>717-238226</b> |

## DIPLOMAT CASEFRAMES – BASIC CASES WITH VENTILATION PLINTH

(excludes front and rear tie bars)

### ORDERING INFORMATION

| Height      | External |       |             | Internal |       |    | Order code        |
|-------------|----------|-------|-------------|----------|-------|----|-------------------|
|             | Width    | Depth | Height      | Width    | Depth | A  |                   |
| 3U (160,35) | 84 HP    | 444   | 3U (133,35) | 84 HP    | 399   | 16 | <b>717-238228</b> |
| 6U (293,70) | 84 HP    | 444   | 6U (266,70) | 84 HP    | 399   | 16 | <b>717-238229</b> |
|             | 84 HP    | 564   | 6U (266,70) | 84 HP    | 519   | 16 | <b>717-238230</b> |



DIPLOMAT Caseframes 3U & 6U horizontal versions

### ORDER SEPARATELY

Accessories that are specific to the Diplomat caseframe can be found in this section on pages 4.19 to 4.22 and include transparent doors, bezel trims, carry handles, earth kits, rear panels, feature front panels and rear cable tidy. The Diplomat caseframe accepts the direct mounting of eurocards and has therefore been designed to be fully compatible with the KM6-II subrack system. Accessories from this range can be found in sections 1 and 2 (refer to page 1.23 and 2.03) and include tiebars, card guides, front panels, modules, divider kits, DIN connector adaptors and more.

| Diplomat Accessories                       | Page      |
|--|-----------|
| Transparent front doors                    | 4.19      |
| Feature front panels                       | 4.19      |
| Front and rear bezel trims                 | 4.20      |
| Heavy duty carry handles                   | 4.20      |
| Earth continuity kits                      | 4.20      |
| Steel rear panels                          | 4.21      |
| Fan panel accessories                      | 4.22      |
| Rear cable tidy                            | 4.22      |
| Rear bump down feet                        | 4.22      |
| KM6 Compatible Accessories                 |           |
| EMC conversion kits                        | 1.19      |
| EMC closing panels                         | 1.22      |
| Front tie bars                             | 1.25      |
| Rear backplane mounting tie bars           | 1.26      |
| Rear DIN 41612 connector mounting tie bars | 1.27      |
| DIN 41612 connector mountings              | 1.29      |
| Backplane spacers                          | 1.29      |
| PCB or plug-in unit guides                 | 1.30      |
| PCB grounding clips                        | 1.31      |
| PCB guide retention                        | 1.31      |
| PCB retainers and guide nose extensions    | 1.32      |
| PCB ejectors                               | 1.32      |
| Front divider kits                         | 1.33      |
| Rear divider kits                          | 1.34      |
| Horizontal card mounting modules           | 1.36      |
| Fixing screws                              | 1.40      |
| Front panels and plug-in units             | section 2 |



# DIPLOMAT Caseframes: 3U vertical and fan plinth versions

## DIPLOMAT CASEFRAMES - 3U VERTICAL BASIC CASES

The vertical DIPLOMAT caseframes are available in 3 widths and in two depths. They are supplied in basic assembly format i.e. with no tie bars, tapped strips, trims or rear panels. These units are ideal for floor standing or desk top applications involving computer products or power supplies. Additional cooling can be applied to the units by simply ordering rear fan panels or conventional vented panels on page 4.21. As standard the vertical foot is supplied with rubber inserts to avoid any slippage on a desk surface.

### CONTENTS OF KIT

| Description  | Qty | Material/Finish                    |
|--|-----|------------------------------------|
| Side covers non vented   | 2   | 0.9mm Zintec coated steel          |
| Bezels   | 2   | Aluminium alloy                    |
| Foot kit   | 1   | ABS plastic and aluminium alloy    |
| Vertical infill panel  | 1   | 0.9mm Zintec coated steel          |
| Screw kit  |     |                                    |
| Finish   |     | Textured electrostatic epoxy paint |
| Colour: Side covers  |     | Light grey BS4800-00A01            |
| Front and rear bezels,<br>side handles and extrusions,<br>infills and feet |     | Mid grey BS4800-00A05              |

### ORDERING INFORMATION

| Height      | External |       | Height      | Internal |       | Order code        |
|-------------|----------|-------|-------------|----------|-------|-------------------|
|             | Width    | Depth |             | Width    | Depth |                   |
| 42 HP       | 324      | 324   | 3U (133,35) | 42 HP    | 279   | <b>717-238231</b> |
| 3U (160,35) | 60 HP    | 324   | 3U (133,35) | 60 HP    | 279   | <b>717-238232</b> |
|             | 84HP     | 444   | 3U (133,35) | 84HP     | 399   | <b>717-238234</b> |

## DIPLOMAT CASEFRAMES - BASIC CASES WITH VENTILATION PLINTH

The plinth design for the DIPLOMAT caseframe ensures, that the air flow is distributed across the full width of the case and will be directed across the cards and up over the backplane.

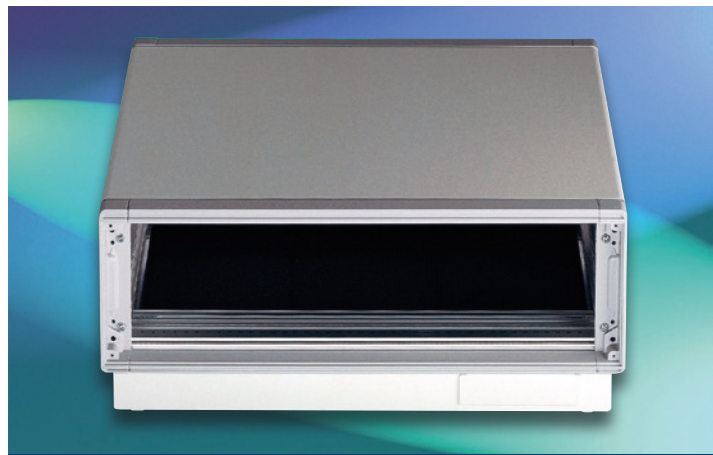
Typical air velocities as achieved in a fully loaded system are shown on the right and demonstrate the consistency of air flow even in slot 1 position where many hot cards will be placed. The three dimensional representation on page 4.04 shows in more detail the front to back air flow characteristics.

### ORDERING INFORMATION

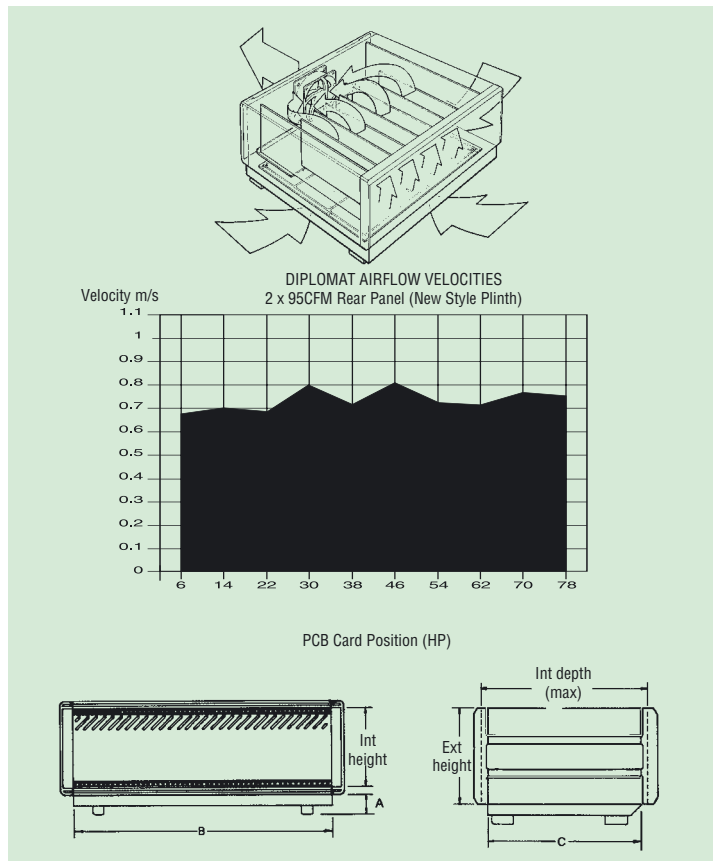
| Height      | External |       | Height      | Internal |       | Order code        |
|-------------|----------|-------|-------------|----------|-------|-------------------|
|             | Width    | Depth |             | Width    | Depth |                   |
| 3U (160,35) | 84 HP    | 444   | 3U (133,35) | 84 HP    | 399   | <b>717-238228</b> |
|             | 84 HP    | 444   | 6U (266,70) | 84 HP    | 399   | <b>717-238229</b> |
| 6U (293,70) | 84 HP    | 564   | 6U (266,70) | 84 HP    | 519   | <b>717-238230</b> |



DIPLOMAT Caseframes 3U vertical versions



DIPLOMAT Caseframes fan plinth versions



## TRANSPARENT DOORS

This unique door design provides an attractive and secure facia to the DIPLOMAT caseframe. The construction consists of formed acrylic, two extrusions, corner mouldings and a lock mechanism, producing a strong and lightweight door which is easily fitted to the caseframe. The door allows sufficient room from the front panel to the inside door surface for mounting large front panel components. The front panel clearance is approximately 44mm.

Flammability rating - BS476 class 3/UL94 HB

### Contents of kit

| Description    | Qty | Material/Finish   |
|----------------|-----|---|
| Door assembly  | 1   | 3mm Acrylic (tint 901) with mid-grey ABS corner moulding (BS4800-00A05) |
| Lock trim      | 1   | Aluminium extrusion – satin anodised                                    |
| Plain trim     | 1   | Aluminium extrusion – satin anodised                                    |
| Set of keys    | 1   |   |
| Set of fixings | 1   |   |

### Ordering information

| Height | Width | Hinge type | Order code        |
|--------|-------|------------|-------------------|
| 3U     | 42HP  | Horizontal | <b>717-236834</b> |
|        | 60HP  | Horizontal | <b>717-236835</b> |
|        | 84HP  | Horizontal | <b>717-236836</b> |
| 6U     | 84HP  | Vertical   | <b>717-240996</b> |
|        | 60HP  | Vertical   | <b>717-236837</b> |
|        | 84HP  | Vertical   | <b>717-236838</b> |

Note: Front panel to inside of door dimension is 44mm.

## FEATURE FRONT PANELS

Manufactured in 3mm etched and anodised aluminium with a high quality surface finish, these panels provide a clean and very attractive frontal appearance.

Suitable for use on both the front and rear of the case, they are fitted into the bezel in place of the trims and in front of subrack tie bars. Sufficient room is available for KM6-II plug-in units to be fitted behind these panels.

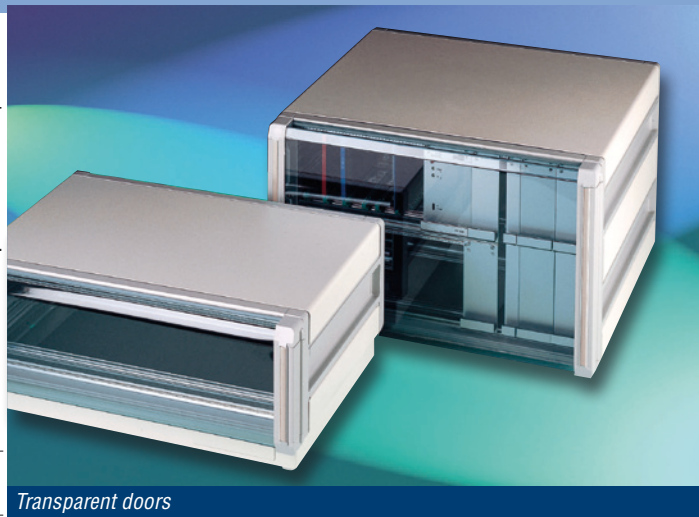
### Contents of kit

| Description   | Qty | Material/Finish               |
|---------------|-----|-------------------------------|
| Panel         | 1   | 3mm Aluminium, satin anodised |
| Fixing screws | 4   |                               |

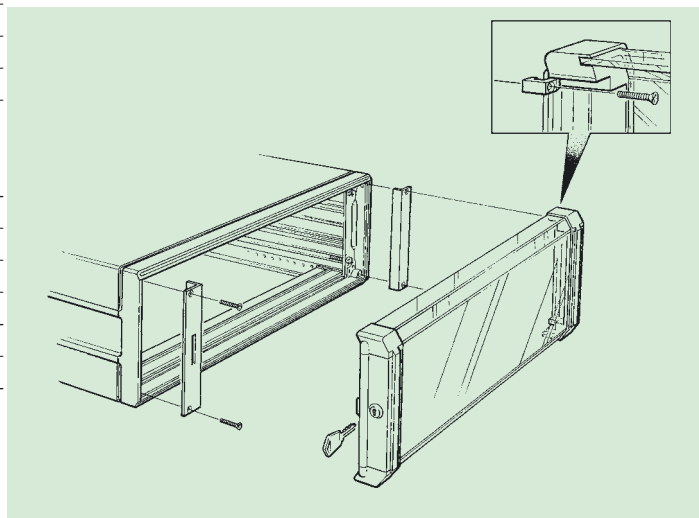
### Ordering information

Description: Feature front panels

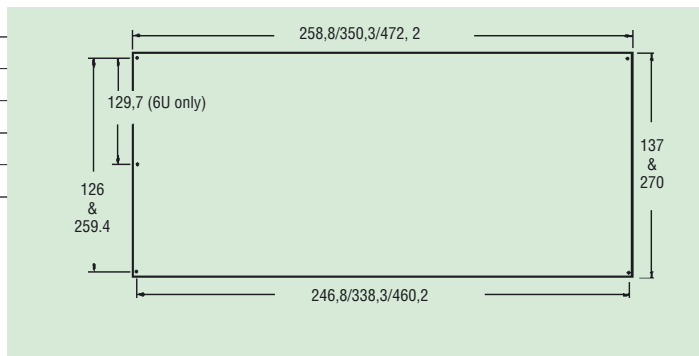
| Height | Width | Order code        |
|--------|-------|-------------------|
| 3U     | 42HP  | <b>517-200543</b> |
|        | 60HP  | <b>517-200544</b> |
|        | 84HP  | <b>517-200545</b> |
| 6U     | 60HP  | <b>517-200546</b> |
|        | 84HP  | <b>517-200547</b> |



Transparent doors



Feature front panels



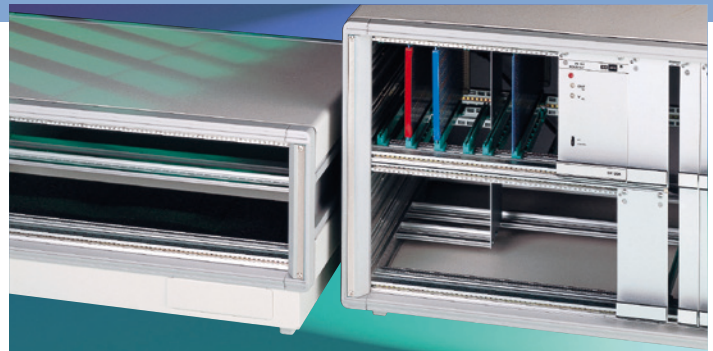
## FRONT AND REAR BEZEL TRIMS

In order to maintain a clean and attractive appearance on the front of the DIPLOMAT caseframes highlighted bezel trims can be easily fixed to the unit. Rear fixing provides security and front fixing ease of access.

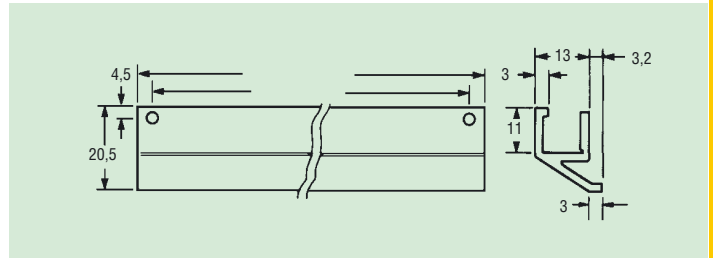
### ORDERING INFORMATION

| Description           | Order code |
|-----------------------|------------|
| Trims 3U front fixing | 717-238518 |
| Trims 6U front fixing | 717-238519 |
| Trims 3U rear fixing  | 717-238644 |
| Trims 6U rear fixing  | 717-238645 |

Note: Two versions are available, front fixing trims with fixing screws showing and rear fixing trim with concealed fixing screws. Both can be used at the front or the rear of the unit.



Vertical highlight trim



## HEAVY DUTY CARRY HANDLE – 3U CASES ONLY

This heavy duty handle is designed to visually coordinate with the DIPLOMAT cases. It is suitable for 3U cases and will accept loads of up to 300N. The handle has a press button mechanism which locks in increments of 30°. This allows the cases to be easily carried or tilted on a work surface.

### CONTENTS OF KIT

| Description        | Qty | Material/Finish                        |
|--------------------|-----|--|
| Side arms          | 2   | Polycarbonate, mid grey BS4800-00-A05  |
| Cross bar          | 1   | Aluminium alloy etch and clear anodise |
| Location mouldings | 2   | Polycarbonate, mid grey BS4800-00-A05  |
| Fixing screws      |     |  |

### ORDERING INFORMATION

| Description                       | Order code |
|-----------------------------------|------------|
| Carry handles for 42HP wide case  | 517-201701 |
| Carry handles for 60 HP wide case | 517-201702 |
| Carry handles for 84 HP wide case | 517-201703 |



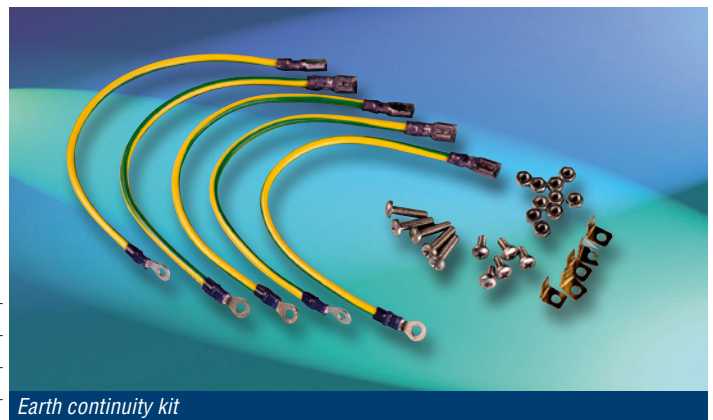
Heavy duty carry handle

## EARTH CONTINUITY KIT

The case fixing screws are designed to provide continuity in the frame when tightened; however, it is recommended that all units are fitted with the earth continuity kit. This provides all the cables and fixings required to give complete earth continuity throughout the case. This single kit is suitable for all sizes of DIPLOMAT cases and caseframes.

### CONTENTS OF KIT

| Description                 | Qty |
|-----------------------------|-----|
| Earthing leads              | 5   |
| Bolt-on spade connector     | 5   |
| Earth bonding screw         | 5   |
| M4 Pan head screw x 6LG DIN | 5   |
| M4 Hex nut (thin)           | 10  |
| Instructions leaflet        | 1   |



Earth continuity kit

### Ordering information

| Description                   | Order code |
|-------------------------------|------------|
| DIPLOMAT earth continuity kit | 60-54598   |



## STEEL REAR PANELS

For use at the rear of the unit, these panels provide ventilation and mounting holes for the cable tidy.

### CONTENTS OF KIT

| Description   | Qty | Material/Finish                                  |
|---------------|-----|--|
| Panel         | 1   | 0.9mm Zintec steel, colour mid grey BS4800-00A05 |
| Fixing screws | 4   |  |

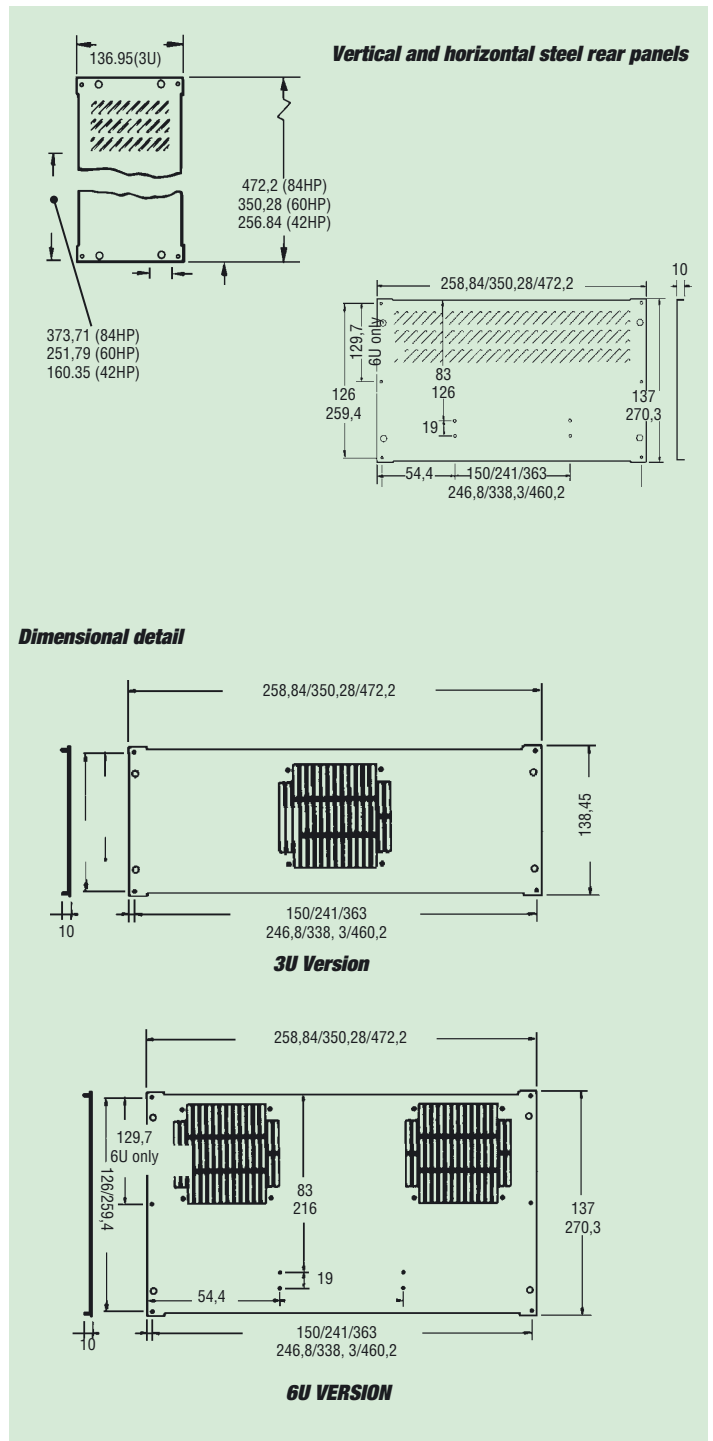
### ORDERING INFORMATION

Description: Steel rear panels

| Height | Width | Case type        | Order code        |
|--------|-------|------------------|-------------------|
| 3U     | 42HP  | Horizontal       | <b>717-236560</b> |
|        | 60HP  | Horizontal       | <b>717-236561</b> |
|        | 84HP  | Horizontal       | <b>717-238546</b> |
|        | 42HP  | Vertical, vented | <b>717-238693</b> |
|        | 60HP  | Vertical, vented | <b>717-238694</b> |
|        | 84HP  | Vertical, vented | <b>717-238695</b> |
| 6U     | 60HP  | Horizontal       | <b>717-238547</b> |
|        | 84HP  | Horizontal       | <b>717-238548</b> |



Vertical and horizontal steel rear panels



## REAR FAN PANELS – Without fans fitted

Available as alternatives to the steel rear panels, these provide mounting positions for cooling fans. Two positions are provided on 6U versions and a single central position is provided on the 3U version. Either DC or AC 120mm square fans may be used.

### ORDERING INFORMATION

Description: Rear fan panel without fans fitted

| Height | Width | Case type  | Order code        |
|--------|-------|------------|-------------------|
| 3U     | 42HP  | Vertical   | <b>717-238696</b> |
|        | 60HP  | Vertical   | <b>717-238697</b> |
|        | 84HP  | Vertical   | <b>717-238698</b> |
|        | 84HP  | Horizontal | <b>717-236878</b> |
| 6U     | 84HP  | Horizontal | <b>717-236879</b> |

## FAN PANEL ACCESSORIES

### ORDERING INFORMATION

| Description            | Order code |
|------------------------|------------|
| 120mm 220V AC 50Hz fan | 28-238116  |
| 120mm Finger guard     | 28-202490  |
| Fan fixing kit         | 28-43872   |
| Fan connection lead    | 28-241569  |



Fan panel accessories

### REAR CABLE TIDY – 10½” AND 19” COMPATIBLE

The rear cable tidy allows power cables to be conveniently and tidily stored. It is supplied as a kit of two mouldings which are attached directly to the pre-punched rear panels (both types).

### ORDERING INFORMATION

| Description         | Order code |
|---------------------|------------|
| Rear cable tidy kit | 517-203357 |



Rear cable tidy

### BUMP DOWN FEET – 3U CASES ONLY

This useful 'Bump down' foot accessory allows portable instruments to be placed safely on rugged surfaces without causing damage to the unit itself. The foot assembly also acts as a cable wrap to conveniently store power cables.

Access to the DIPLOMAT interior can be gained via securing screws in the foot moulding, which when unscrewed will release the top and base covers. These are suitable for 3U units only.

### CONTENTS OF KIT

| Description      | Qty | Material/Finish                       |
|------------------|-----|---------------------------------------|
| Set of mouldings | 1   | Polycarbonate, mid grey BS4800-00-A05 |
| Rubber inserts   | 4   | Rubber, black                         |
| Support brackets | 2   | 2mm steel, mid grey BS4800-00-A05     |
| Fixing screws    | 4   |                                       |

### ORDERING INFORMATION

| Description    | Order code |
|----------------|------------|
| Bump down feet | 517-202632 |



Bump down feet